

MULTI-PURPOSE LID W/DAMPER



AZ-GD

MISCELLANEOUS

MULTI-PURPOSE LID W/DAMPER



AZ-GD180-HL AZ-GD400-HL

Slim Frame



AZ-GD230-HL

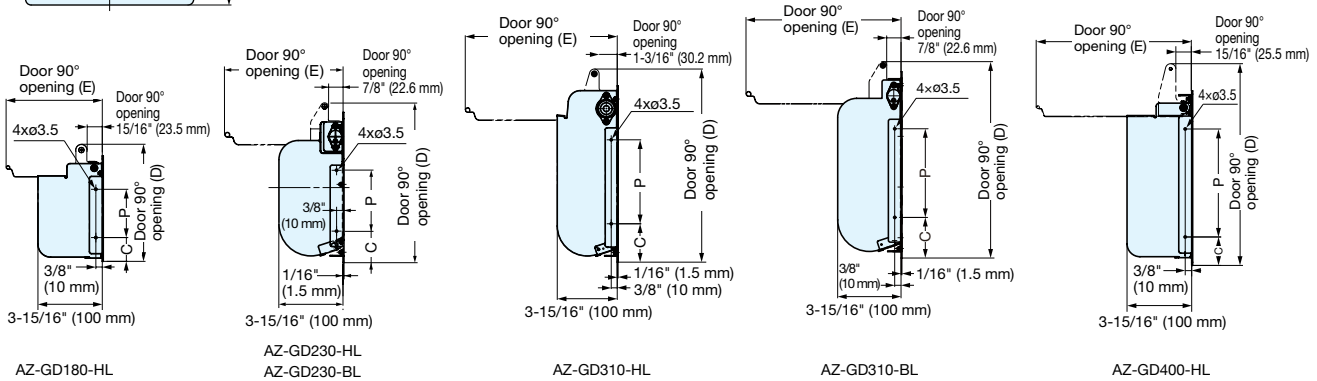
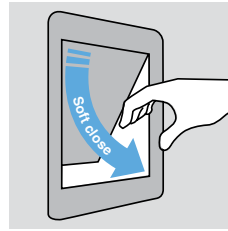
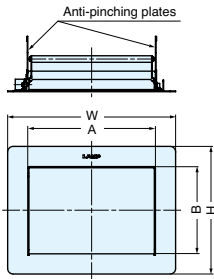
AZ-GD310-HL



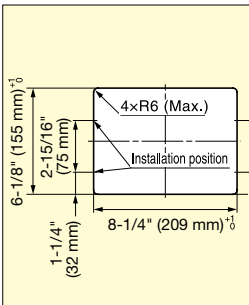
AZ-GD230-BL

AZ-GD310-BL

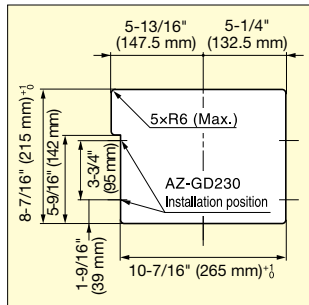
- Built in damper to keep the lid from slamming shut.
- Integrated anti-pinching plates.
- Vertical use only.
- Corrosion resistant.
- Guide sold separately.



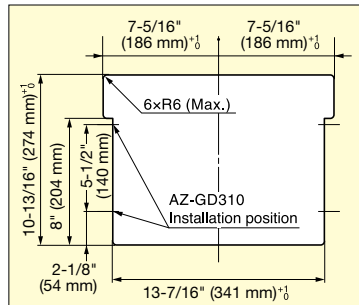
Cut Out Dimensions



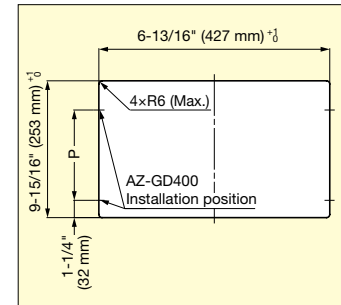
AZ-GD180-HL



AZ-GD230-HL
AZ-GD230-BL



AZ-GD310-HL
AZ-GD310-BL



AZ-GD400-HL

Material	Finish
304 Stainless Steel	Satin, Black

Item No.	A	B	W	H	C	D	E	P	Weight (g)	Box (pcs)	Carton (pcs)
AZ-GD180-HL	7-3/16" (182 mm)	5-1/16" (128 mm)	8-9/16" (218 mm)	6-7/16" (164 mm)	1-7/16" (37 mm)	7-3/16" (182 mm)	5-7/8" (149.5 mm)	2-15/16" (75 mm)	1042	1	10
AZ-GD230-HL	9-3/16" (234 mm)	6-5/16" (160 mm)	12-1/8" (308 mm)	9-3/16" (234 mm)	1-15/16" (49 mm)	9-13/16" (249 mm)	7-1/4" (184.7 mm)	3-3/4" (95 mm)	1486		
AZ-GD230-BL											
AZ-GD310-HL	12-3/16" (310 mm)	8-11/16" (220 mm)	15-1/8" (384 mm)	11-9/16" (294 mm)	2-1/2" (64 mm)	12-3/16" (310 mm)	9-5/8" (244.7 mm)	5-1/2" (140 mm)	2236		
AZ-GD310-BL											
AZ-GD400-HL	15-3/4" (400 mm)	8-11/16" (220 mm)	17-3/4" (450 mm)	10-5/8" (270 mm)	1-3/4" (44 mm)	12-1/4" (312 mm)	9-7/16" (240 mm)	6-9/16" (167 mm)	2236		