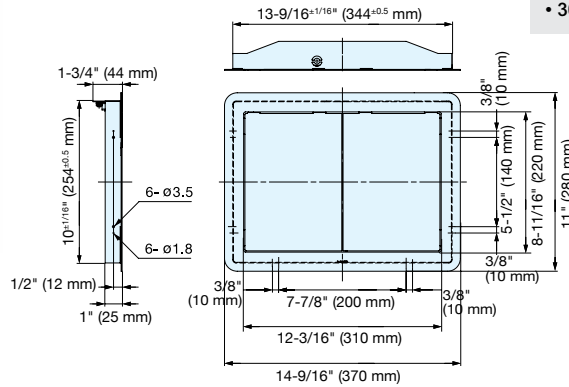


MULTI-PURPOSE LID (DOUBLE DOOR)



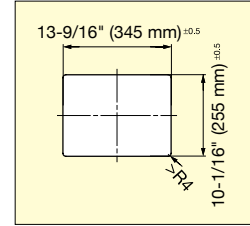
AZ-DD310/HL

MISCELLANEOUS



- Synchronized doors allow for easy opening.
- 304 Stainless Steel lid and frame.

Cut Out Dimensions

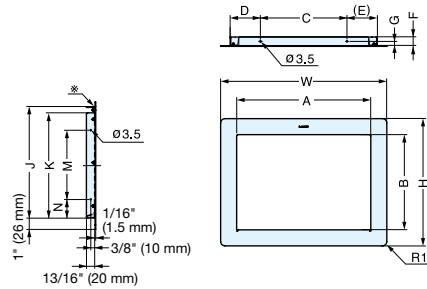


Item No.	Weight (kg)	Box (pcs)	Carton (pcs)	Material	Finish
AZ-DD310/HL	2.2	1	10	304 Stainless Steel	Satin

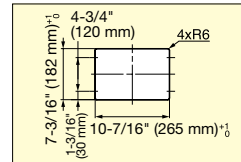
MULTI-PURPOSE LID (SQUARE BEZEL)



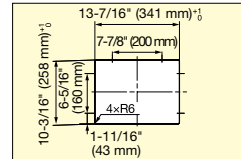
AZ-ND



- Corrosion resistant.
- 304 Stainless Steel



AZ-ND230HL Cut Out Dimensions



AZ-ND310HL Cut Out Dimensions

Item No.	Material	Finish	A	B	W	H
AZ-ND230	304	Satin	9-3/16" (234 mm)	6-5/16" (160 mm)	12-1/8" (308 mm)	9-3/16" (234 mm)
AZ-ND310HL	Stainless Steel	Satin	12-3/16" (310 mm)	8-11/16" (220 mm)	15-1/8" (384 mm)	15-1/2" (394 mm)

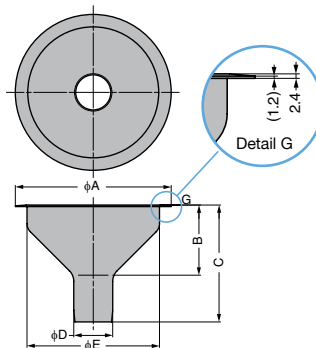
Item No.	C	D	E	F	G	J	K	M	N	Weight (kg)
AZ-ND230HL	-	-	-	-	-	-	6-11/16" (170 mm)	4-3/4" (120 mm)	1-3/16" (30 mm)	0.72
AZ-ND310HL	7-7/8" (200 mm)	2-3/4" (70 mm)	2-3/4" (70 mm)	13/16" (20 mm)	3/8" (10 mm)	10-1/8" (257 mm)	9-9/16" (243 mm)	6-5/16" (160 mm)	1-11/16" (43 mm)	1.05

DRAIN SPOUT / MULTI-PURPOSE LIDS

DRAIN SPOUT

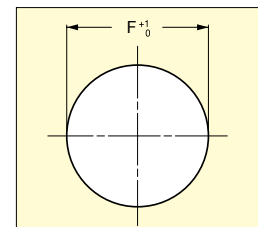
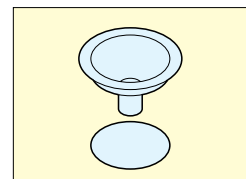


AE-DH



- Wide 6-11/16" diameter drain spout for use in food service environments.
- Lip outer diameter 7-7/8".
- Stainless steel construction for easy cleaning.
- 2" diameter tubing can be attached to the spout.

Cut Out Dimensions



Item No.	A	B	C	D	E	F	Hose Diameter	Weight (g)	Box (pcs)	Carton (pcs)
AE-DH015-MR	(150)	(55)	(95)	(38)	(120)	(121)	38	270	1	12
AE-DH015-HL	(150)	(55)	(95)	(38)	(120)	(121)	38	270		
AE-DH020-MR	(200)	(90)	(150)	(50)	(170)	(171)	50	490	1	12
AE-DH020-HL	(200)	(90)	(150)	(50)	(170)	(171)	50	490		

Material	Finish
304 Stainless Steel	Polished Mirror/Satin

() units in mm.