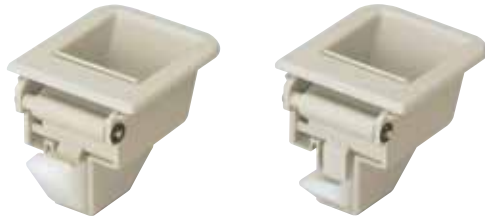


# FLUSH SLAM LATCH



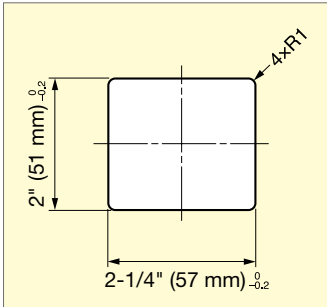
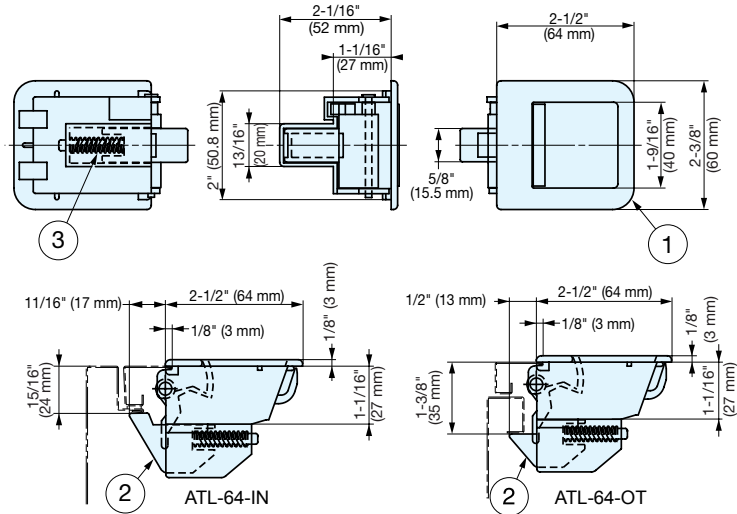
## ATL-64



ATL-64-IN

ATL-64-OT

- Door latches when closed.
- Pull lever to release latch when opening door.
- Auto lock feature.
- For use with 1/16" ~ 1/16" (0.7 ~ 1 mm) thick material.



Cut Out Dimensions

Item No.	Application	For use with panels	weight	No.	Part Name	Material	Finish/Color
ATL-64-IN	Inset	1/16" ~ 1/16" (0.7 ~ 1 mm)	44.5g	①	Main Body	ABS Plastic	Off white
ATL-64-OT	Overlay			②	Latch	Polyamide	
				③	Spring	304 Stainless Steel	Plain

CATCHES & LATCHES

FLUSH SLAM LATCHES

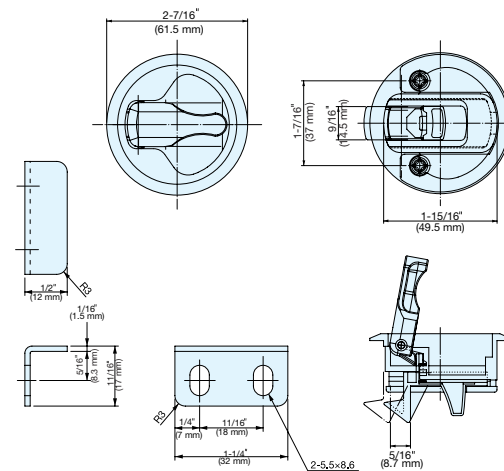
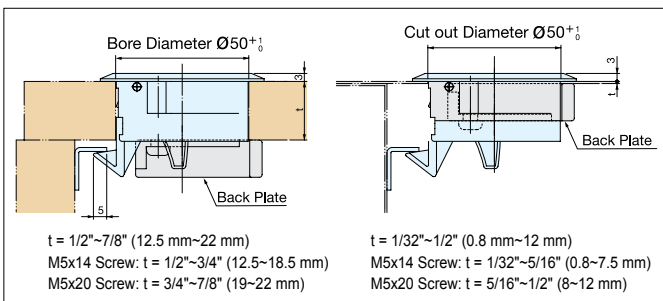
# FLUSH SLAM LATCH



## LJ-61



- Door will be latched when closed.
- Pull lever to open.
- Non-Handed:  
Can be installed on left or right side.
- Easy installation.  
Insert the latch body through single round cutout or bore section and screw-on the back plate.
- Back plate is designed to accommodate door thickness 1/32"~1/2" (0.8 mm~12 mm), and also 1/2"~7/8" (12.5 mm~22 mm) by flipping over the back plate.



Installation

Item No.	Load Capacity	Weight (g)	Box (pcs)	Carton (pcs)	Part Name	Material	Finish/Color
LJ-61/BLK	33 lbs (14.97 kg)	45	10	120	Body/Spring	Polyacetal, Polycarbonate, 304 Stainless Steel	Black, White
LJ-61/WHT					Counterplate	316 Stainless Steel	Satin