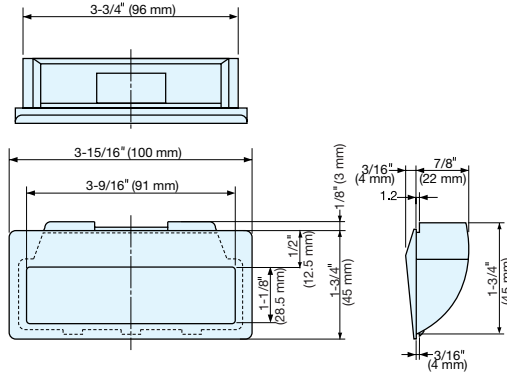


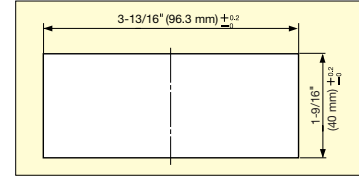
RECESSED PULL



AT-100



• Snap-in type recessed pull for sheet metal thickness 0.8 mm.



Cut Out Dimensions (Panel thickness: 0.8 mm)

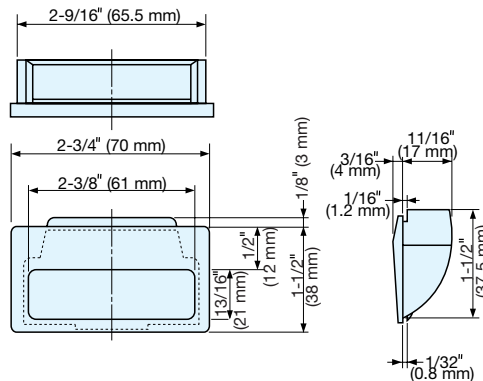
Item No.	Weight (g)	Box (pcs)	Carton (pcs)
AT-100-I	23	50	250
AT-100-BR			
AT-100-B			

Material	Color
ABS	Ivory (I) Brown (BR) Black (B)

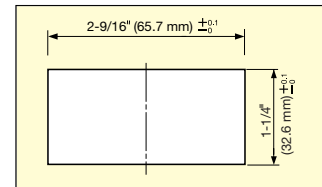
RECESSED PULL



AT-70



• Snap-in type recessed pull for sheet metal thickness 0.8 mm.



Cut Out Dimensions (Panel thickness: 0.8 mm)

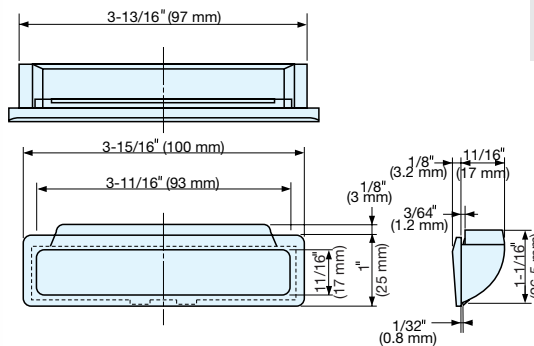
Item No.	Weight (g)	Box (pcs)	Carton (pcs)
AT-70-I	12	100	550
AT-70-BR			
AT-70-B			

Material	Color
ABS	Ivory (I) Brown (BR) Black (B)

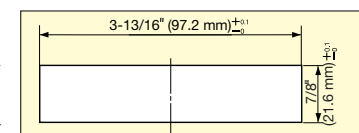
RECESSED PULL



ATS-100



• Snap-in type recessed pull for sheet metal thickness 0.8 mm.



Cut Out Dimensions (Panel thickness: 0.8 mm)

Item No.	Weight (g)	Box (pcs)	Carton (pcs)
ATS-100-I	12.5	100	550
ATS-100-BR			
ATS-100-B			

Material	Color
ABS	Ivory (I) Brown (BR) Black (B)