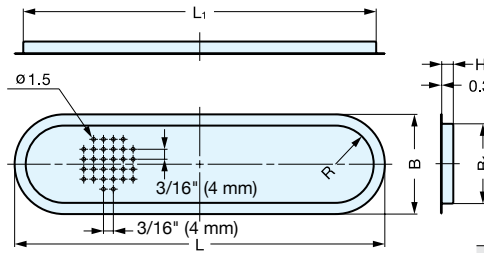


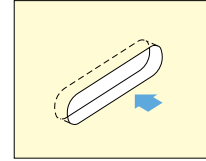
VENTILATOR



ASD



- 1/16" (1.5 mm) diameter holes.
- Affix with glue.



Installation

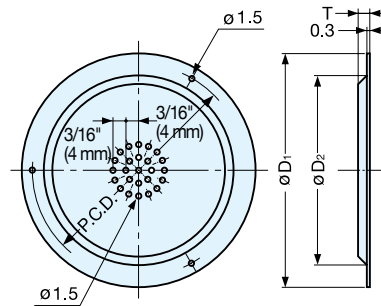
| Material | Finish |
|---------------------|--------|
| 304 Stainless Steel | Satin |

| Item No. | L | L ₁ | H | B | B ₁ | R | Holes | Weight (g) | Box (pcs) | Carton (pcs) |
|----------|-------------------|-----------------|--------------|-----------------|--------------------|------|-------|------------|-----------|--------------|
| ASD-150 | 5-15/16" (150 mm) | 5-5/8" (143 mm) | 3/16" (5 mm) | 1-9/16" (40 mm) | 1-5/16" (33 mm) | (16) | 268 | 14.5 | 80 | 1920 |
| ASD-200 | 7-7/8" (200 mm) | 7-5/8" (193 mm) | (5 mm) | 2" (50 mm) | 1-11/16" (42.8 mm) | (21) | 450 | 23 | 40 | 960 |

VENTILATOR



AST



- 1/16" (1.5 mm) diameter holes.
- Supplied with tacks.

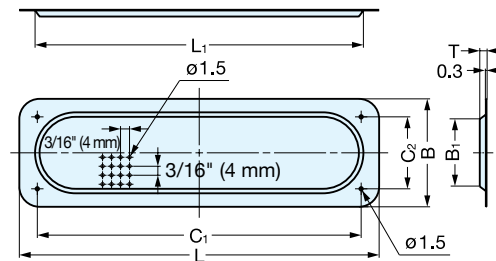
| Material | Finish |
|---------------------|--------|
| 304 Stainless Steel | Satin |

| Item No. | D ₁ | D ₂ | T | P.C.D. | Holes | Weight (g) | Box (pcs) | Carton (pcs) |
|----------|-------------------|-----------------|--------------|-----------------|-------|------------|-----------|--------------|
| AST-45 | 1-3/4" (45 mm) | 1-5/16" (34 mm) | 1/8" (3 mm) | 1-9/16" (40 mm) | 37 | 4 | 100 | 3600 |
| AST-55 | 2-3/16" (55 mm) | 1-3/4" (44 mm) | | 2" (50 mm) | 59 | 5 | | |
| AST-70 | 2-3/4" (70 mm) | 2-3/16" (55 mm) | 3/16" (4 mm) | 2-1/2" (64 mm) | 127 | 9 | 50 | 2400 |
| AST-100 | 3-15/16" (100 mm) | 3-3/16" (81 mm) | | 3-9/16" (91 mm) | 271 | 19 | | |

VENTILATOR



AST-160, 210



- 1/16" (1.5 mm) diameter holes.
- Supplied with tacks.

| Material | Finish |
|---------------------|--------|
| 304 Stainless Steel | Satin |

| Item No. | L | L ₁ | B | B ₁ | C ₁ | C ₂ | T | Holes | Weight (g) | Box (pcs) | Carton (pcs) |
|----------|------------------|-----------------|----------------|------------------|-------------------|----------------|--------------|-------|------------|-----------|--------------|
| AST-160 | 6-5/16" (160 mm) | 5-3/4" (146 mm) | 1-7/8" (48 mm) | 1-7/16" (36 mm) | 5-11/16" (144 mm) | 1-1/4" (32 mm) | 1/8" (3 mm) | 268 | 18 | 50 | 1000 |
| AST-210 | 8-1/4" (210 mm) | 7-3/4" (196 mm) | 2-1/4" (58 mm) | 1-13/16" (46 mm) | 7-5/8" (194 mm) | 1-5/8" (42 mm) | 3/16" (4 mm) | 450 | 28 | | 200 |