

# LIFT-ASSIST LID STAY with soft close (upward opening)



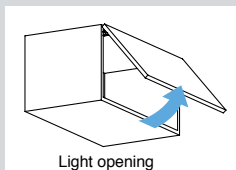
## ARN-3



- Smooth door movement. It is specially designed for use with the OLYMPIA concealed hinge (360-D26-19).
- The lift-assist function allows for light opening of doors.
- The free-stop function enables doors to hold in position (30°-Max. ).
- The soft-close function makes doors close gently (0°-30° degrees).
- Integrated design combines a concealed hinge and lid stay.
- Closing speed of doors is adjustable.
- Naturally creates an overlay look.

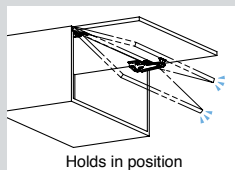
### Lift-assist

Allows for light opening of doors



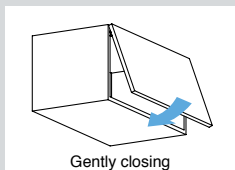
### Free stop

Enables doors to hold in position (30°-Max.).

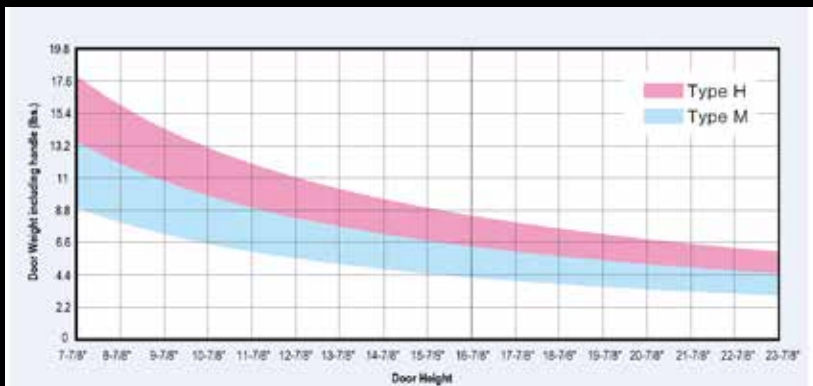


### Soft close

Built-in damper makes doors close slowly.



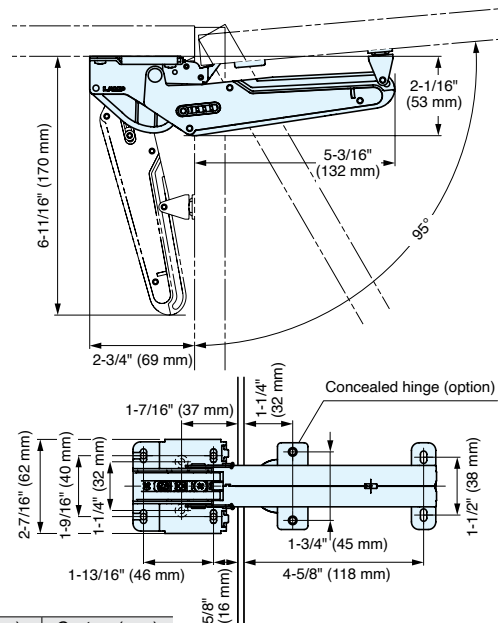
Components for a single door				
	Aileron	1		
	Mounting plate for Aileron	1		
	Olympia Concealed Hinge	2		
	Mounting plate for Olympia	1		
	Screws	16		
Olympia 8	Aileron 6	Aileron 2		



Refer to the graph above as a guide for model selection. For use with doors outside of the scope of this graph, use the calculation below. Door weight must include all attached accessories.

$$\text{Torque (lbs} \cdot \text{inch)} = \text{Door height (inches)} \times 0.5 \times \text{weight (lbs)}.$$

Torque Range (lbs-in)	Type	Number of AILERON
35.4~53.1	M	1 pc
53.1~70.8	H	



Item No.	Color	Torque	Weight (g)	Box (pcs)	Carton (pcs)
ARN-3-M-S	Grey	35.4~53.1 lbs-in (40.8~61.2 kg·cm)	703	1	10
ARN-3-M-BL-S	Black				
ARN-3-H-S	Grey	53.1~70.8 lbs-in (61.2~81.6 kg·cm)			
ARN-3-H-BL-S	Black				

Material	Finish/Color
Steel, Zinc Alloy	Nickel
Plastic	Grey, Black