

# LIFT-ASSIST LID STAY with soft close (top opening)



## ARN-2

LID SUPPORTS

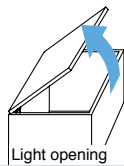
LID STAYS

- Smooth door movement. It is specially designed for use with the OLYMPIA concealed hinge (360-D26-19).
- The lift-assist function allows for light opening of doors.
- The free-stop function enables doors to hold in position (30°-Max. ).
- The soft-close function makes doors close gently (0°-30° degrees).
- Integrated design combines a concealed hinge and lid stay.
- Closing speed of doors is adjustable.
- Naturally creates an overlay look.

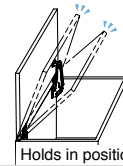


Components for a single door		
	Aileron	1
	Mounting plate for Aileron	1
	Olympia Concealed Hinge	2
	Mounting plate for Olympia	1
	Screws	16

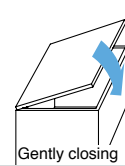
**Lift-assist**  
Allows for light opening of doors



**Free stop**  
Enables doors to hold in position (30°-Max.).



**Soft close**  
Built-in damper makes doors close slowly.



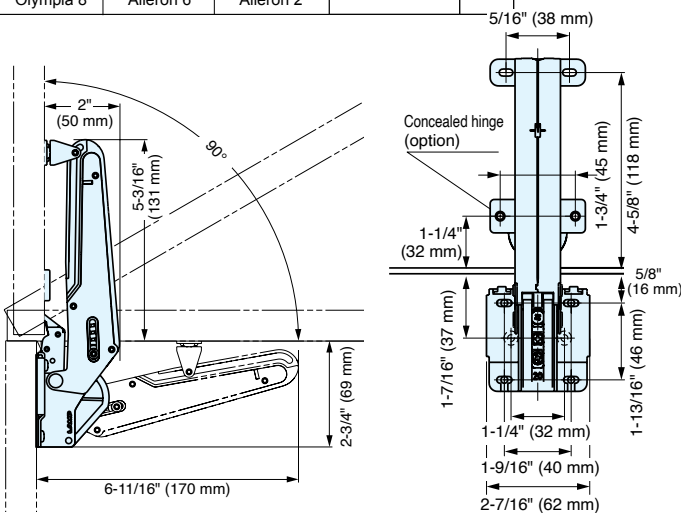
## THE OLYMPIA HINGE

With 5-level damper function, part of the Aileron soft-opening system.



Damper power adjustment lever

5-speed adjustable soft close.  
The first Sugatsune concealed hinge ever built with Lapcon technology.



Item No.	Color	Torque	Weight (g)	Box (pcs)	Carton (pcs)
ARN-2-M-S	Grey	35.4~53.1 lbs-in (40.8~61.2 kg·cm)	703	1	10
ARN-2-M-BL-S	Black				
ARN-2-H-S	Grey	53.1~70.8 lbs-in (61.2~81.6 kg·cm)			
ARN-2-H-BL-S	Black				

Material	Finish/Color
Steel, Zinc Alloy	Nickel
Plastic	Grey, Black