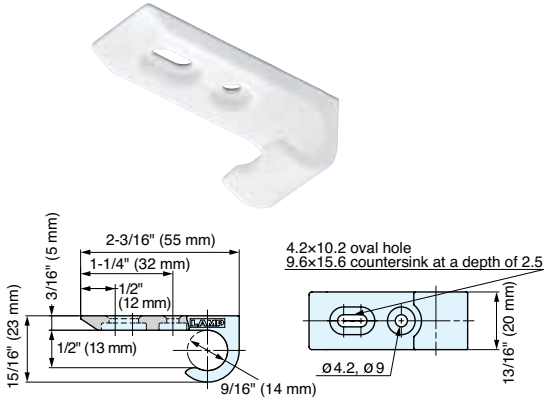


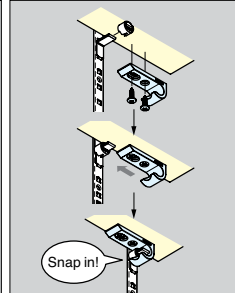
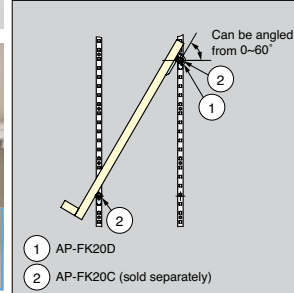
SHELF HOLDER



AP-FK20D



- Accessory clip for use with angled shelves.
- Used with AP-FB series shelf supports along with AP-FK20C core (both sold separately). Both components are compatible with AP-DM or AP-DH series shelf standards.
- Angle shelf 60° downwards.

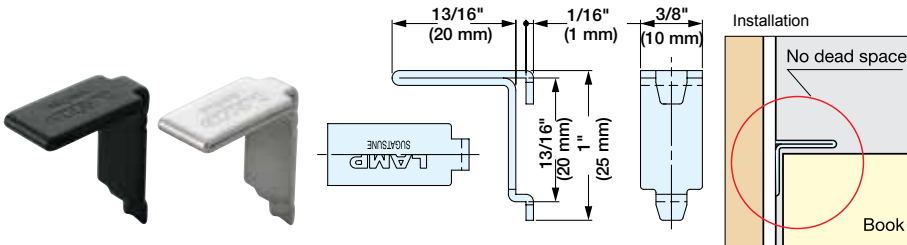


Item No.	Min. Shelf Thickness	Load Capacity	Material	Finish
AP-FK20D	11/16" (18 mm)	294 N/30 kgf	Polyacetal	White

SHELF SUPPORT



AP-FB20



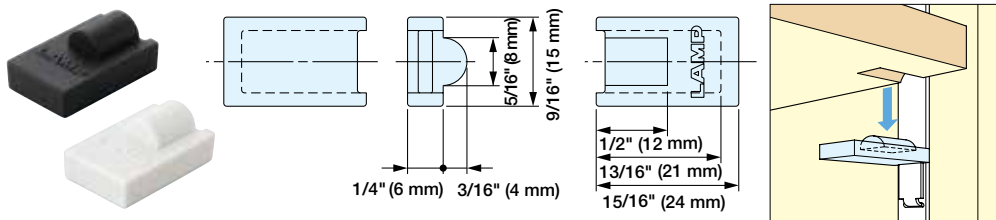
- Shelf support for AP-DM and AP-DH.
- Designed to eliminate dead space at bottom of bracket.

Item No.	Load Capacity (kg)	Weight (g)	Box (pcs)	Carton (pcs)	Material	Finish
AP-FB20	99 lbs (45 kg) / 4 pcs	5	300	3000	430 Stainless Steel	Satin, Black

SHELF SUPPORT CAP



AP-FC20



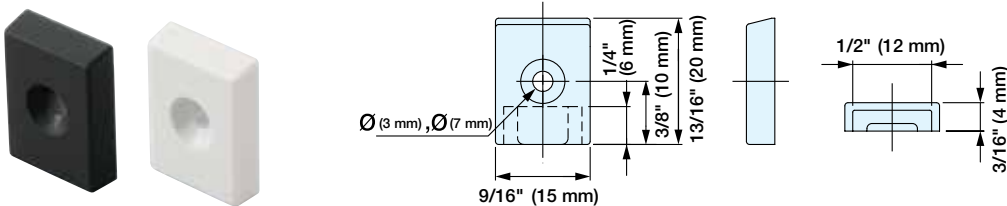
- Rubber cap for shelf support AP-FB20.
- Insert the cap with half round shape facing up, and cutout the shelf to prevent from sliding.

Item No.	Weight (g)	Box (pcs)	Carton (pcs)	Material	Color
AP-FC20	5	400	4000	Elastomer	Light Grey, Black

END CAP



AP-EC20



- End cap for AP-DM.

Item No.	Weight (g)	Box (pcs)	Carton (pcs)	Material	Color
AP-EC20	5	400	4000	ABS	Light Grey, Black