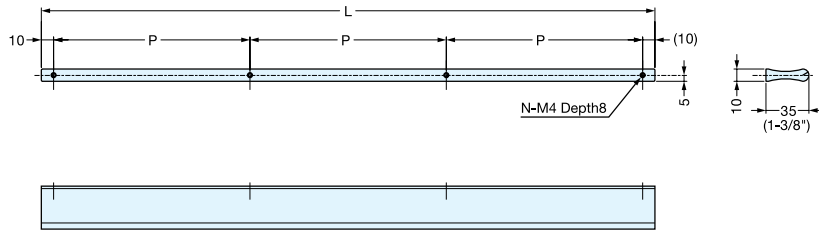


PULL



AOT35



Material	Finish
Aluminum	Alumite

Item No.	L	P	Weight (g)	Box (pcs)	Carton (pcs)
AOT-35-180	7-1/16" (180 mm)	(6-5/16") 160 mm	129	100	1000
AOT-35-340	13-3/8" (340 mm)		243	50	500
AOT-35-500	19-11/16" (500 mm)		358	30	300

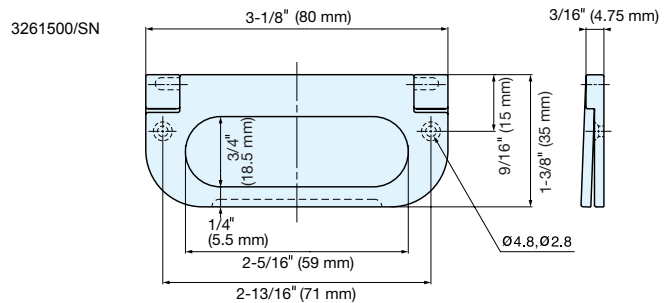
FOLDING RING PULL



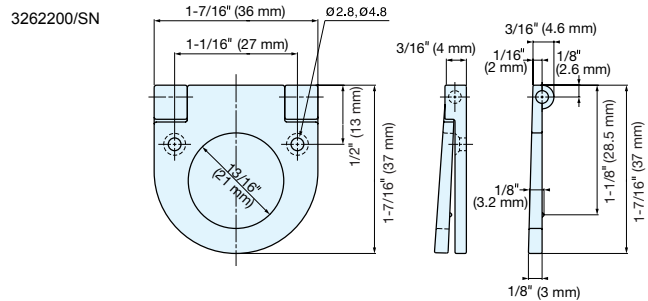
3261, 3262 SERIES



3261500/SN



3262200/SN



Item No.	Weight (g)	Box (pcs)	Carton (pcs)
3261500/SN	49.3	25	250
3262200/SN	26.0		600

Material	Finish
Zinc Alloy	Satin Nickel