

OVERLAY DOOR ANGLE HINGE

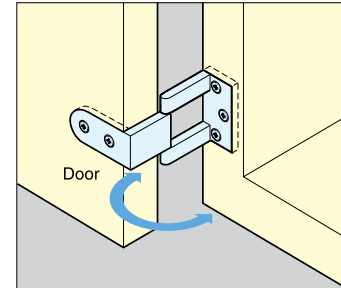
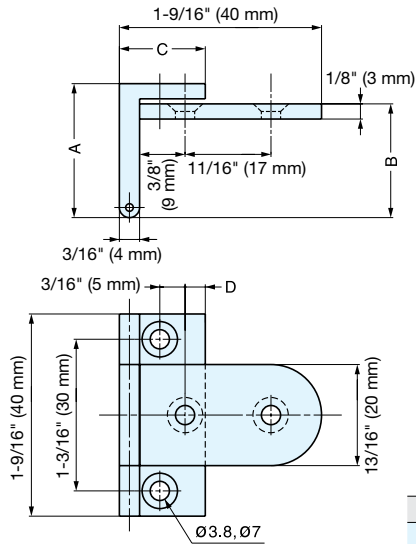


AHS

- Recommended Door Specifications:
 Thickness: Recess Mount-for AHS-20, 7/8" (22.5 mm); for AHS-24, 1-1/16" (27 mm)
 Surface Mount-for AHS-20, 3/4" (19.5 mm); for AHS-24, 1" (24 mm)
 Width: Max. 17-3/4" (450 mm)
 Height: Max. 27-9/16" (700 mm)
 Weight: Max. 5.7 lbs (2.6 kg) per pair



AHS-24/SN



Material	Finish
Brass	Satin Nickel (SN)

Item No.	A	B	C	D	Weight (g)	Box (pcs)	Carton (pcs)
AHS-20/SN	1-1/16" (26.5 mm)	7/8" (22.5 mm)	11/16" (17 mm)	3/16" (4 mm)	61	20	360
AHS-24/SN	1-3/16" (30.5 mm)	1-1/16" (27 mm)	13/16" (20 mm)	1/4" (5.5 mm)	69		

OVERLAY DOOR ANGLE HINGE

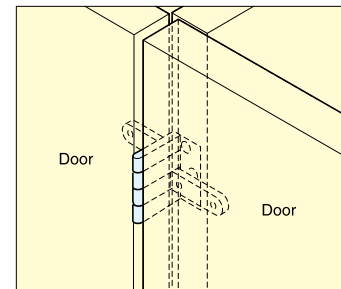
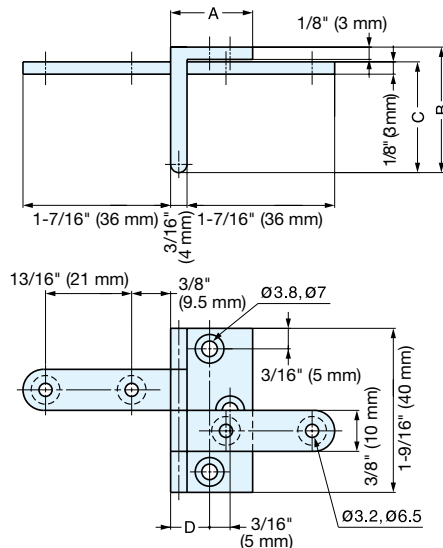


AHW

- Recommended Door Specifications:
 Thickness: Recess Mount-for AHW-20, 7/8" (22.5 mm); for AHW-24, 1-1/16" (27 mm)
 Surface Mount-for AHW-20, 3/4" (19.5 mm); for AHW-24, 1" (24 mm)
 Width: Max. 17-3/4" (450 mm)
 Height: Max. 27-9/16" (700 mm)
 Weight: Max. 5.7 lbs (2.6 kg) per pair



AHW-24/SN



Material	Finish
Brass	Satin Nickel (SN)

Item No.	A	B	C	D	Weight (g)	Box (pcs)	Carton (pcs)
AHW-20/SN	11/16" (17 mm)	1-1/16" (26.5)	7/8" (22.5 mm)	5/16" (8 mm)	61	25	200
AHW-24/SN	13/16" (20 mm)	1-3/16" (30.5)	1-1/16" (27 mm)	3/8" (9.5 mm)	69	20	80