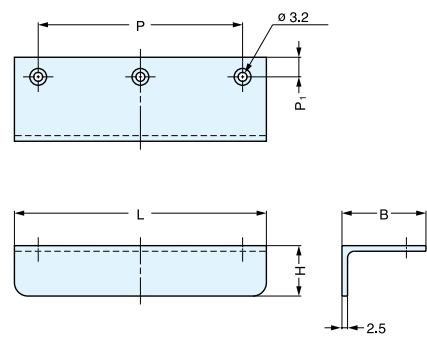
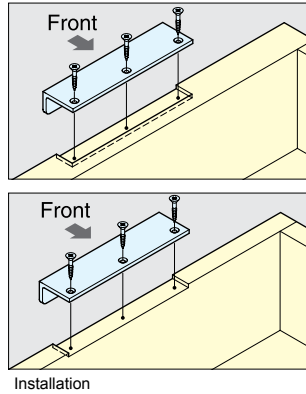


EDGE PULL



AG



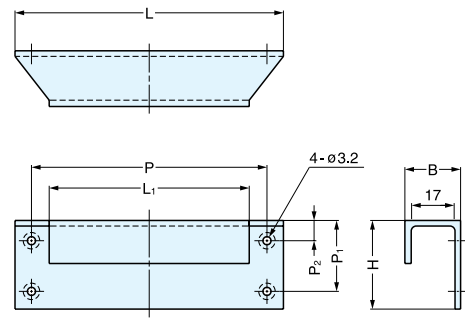
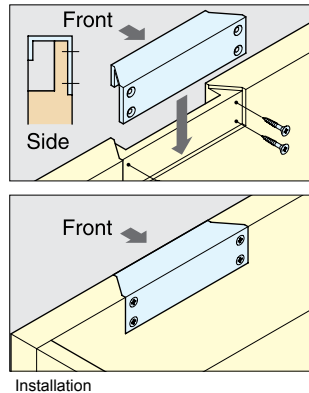
Material	Finish
Brass	Satin Nickel

Item No	L	H	P	P ₁	B	Holes	Box (pcs)	Carton (pcs)
AG-A405	1-13/16" (46 mm)	11/16" (18 mm)	1-1/8" (29 mm)	1/4" (7 mm)	1-3/16" (30 mm)	2	120	480
AG-A402	3-9/16" (90 mm)		2-7/8" (73 mm)			3	70	280

EDGE PULL



CN



Item No	L	L ₁	H	P	P ₁	P ₂	B	Box (pcs)	Carton (pcs)
CN-A362	4-3/16" (106 mm)	3" (76 mm)	1-7/16" (36 mm)	3-11/16" (93 mm)	1-1/8" (28 mm)	5/16" (8 mm)	7/8" (22 mm)	28	280
CN-A360	5-3/8" (137 mm)	4-3/16" (107 mm)	1-7/16" (36 mm)	4-13/16" (123 mm)	1-1/8" (28 mm)	5/16" (8 mm)	7/8" (22 mm)	16	64

Material	Finish
Brass	Satin Nickel

FINGER PULL



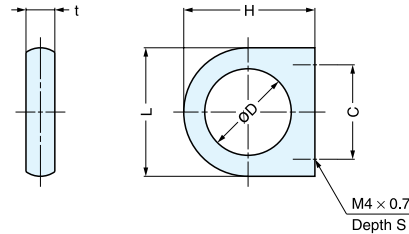
DR



DR-S/M
Mirror



DR-L/S
Satin



Material	Finish
304 Stainless Steel	Mirror (M) Satin (S)

Item No.	L	C	H	t	D	S	Weight (g)	Box (pcs)	Carton (pcs)
DR-S/M DR-S/S	15/16" (24.5 mm)	11/16" (18 mm)	1" (25 mm)	7/32" (5.5 mm)	5/8" (16.5 mm)	3/16" (5 mm)	10	80	800
DR-L/M DR-L/S	1-3/16" (30.5 mm)	13/16" (21 mm)	1-1/4" (31.5 mm)	1/4" (6.5 mm)	13/16" (20.5 mm)	1/4" (6.5 mm)	22	50	500