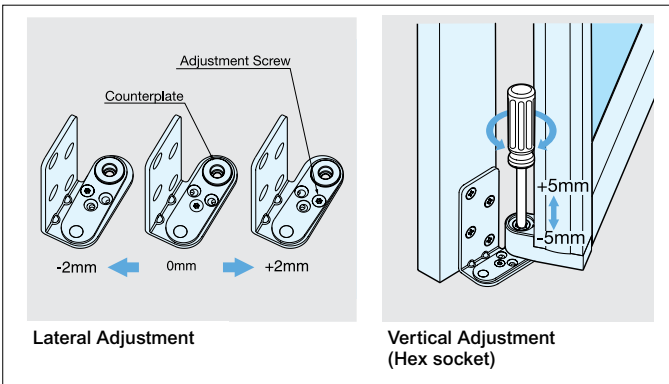


Adjustable Hinge

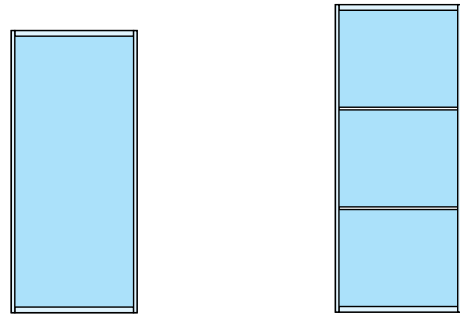
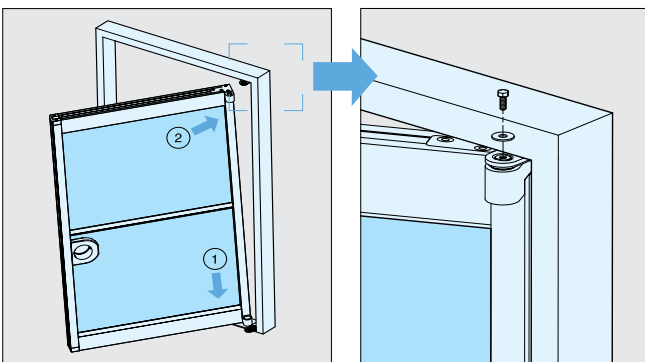


- Aluminum profile provides excellent rigidity preventing door flex.
- Intermediate support not needed when door size within H 86-5/8" x W 35-7/16" (H 2200 mm x W 900 mm).
- Vertically and laterally adjustable after installed.
- Hinge is non-handed.
- Sliding door version available. Please see P.574-577 for details.

Door Height	Max. 98-7/16" (2500 mm)
Door Width	Max. 39-3/8" (1000 mm)
Door Weight	Max. 88 lbs (40 kg)
Glass Thickness	3/16" or 1/4" (5 or 6 mm)
Standard Size	H 86-5/8" x W 35-7/16" (H 2200 mm x W 900 mm)

* Intermediate support required when either door height or door width exceeds standard size.

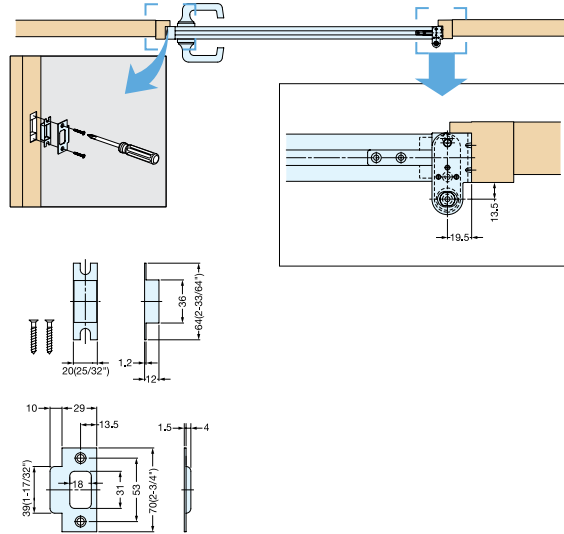
Easy Door Installation



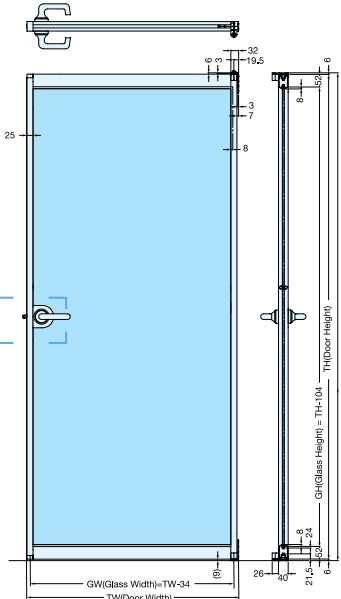
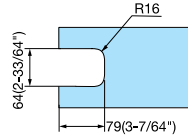
Standard Size
H 86-5/8" x W 35-7/16"
(H 2200 mm x W 900 mm)

2 Supports
Smaller than H 98-7/16" x W 31-1/2"
(Smaller than H 2500 x W 800)

Dimensions



Cut Out Dimension

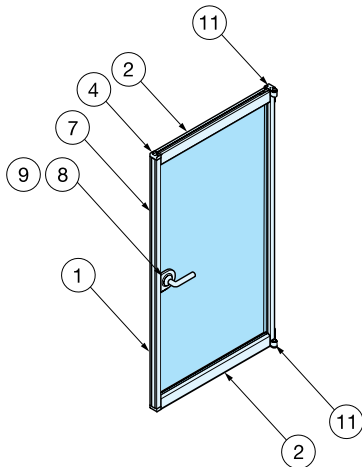


Part Details (for one door)

No.	Item No.	Part Name	Dimensions	Quantity	Description
①	AF-25-W01	Vertical Frame		Necessary quantity	<ul style="list-style-type: none"> Material: Aluminum Finish/Color: Matte Silver Length: 98-7/16" (2500 mm)
②	AF-25-W02	Horizontal Frame		Necessary quantity	<ul style="list-style-type: none"> Material: Aluminum Finish/Color: Matte Silver Length: 78-3/4" (2000 mm)
③	AF-25-W03	Intermediate Support (Optional)		Necessary quantity	<ul style="list-style-type: none"> Material: Aluminum Finish/Color: Matte Silver Length: 78-3/4" (2000 mm)
④	AF-25-P04	Connector		4 pcs	<ul style="list-style-type: none"> Material: Zinc Alloy Finish/Color: Matte Chrome
⑤	AF-25-P02 (For 5 mm Glass) AF-25-P15 (For 6 mm Glass)	Gasket		Necessary quantity	<ul style="list-style-type: none"> Material: Elastomer Finish/Color: Light Grey Length: 98-7/16" (2500 mm) (AF-25-P02) 118-1/8" (3000 mm) (AF-25-P15)
⑥	AF-25-P03 (For 5 mm Glass) AF-25-P16 (For 6 mm Glass)	Gasket for Intermediate Support (Optional)		Necessary quantity	<ul style="list-style-type: none"> Material: Elastomer Finish/Color: Light Grey Length: 98-7/16" (2500 mm) (AF-25-P03) 98-7/16" (2500 mm) (AF-25-P16)
⑦	AF-25-P01-25	Edge Cover		Necessary quantity	<ul style="list-style-type: none"> Material: Synthetic Rubber Finish/Color: Light Grey Length: 98-7/16" (2500 mm)

No.	Item No.	Part Name	Dimensions	Quantity	Description						
⑧	AF-25-P06	Handle Case A		1 set	<ul style="list-style-type: none"> ● Material Zinc Alloy ● Finish/Color Matte Silver (Cover) 						
		Handle Case B									
⑨	<ul style="list-style-type: none"> ● HCSA138F11 (Passage) ● HCSA138SF11G (Cylinder Lock & Thumbturn) ● HCSA138SF11H (Indicator & Thumbturn) ● HCSA138SF11M (Privacy & Thumbturn) 	Lever Handle	 HCSA138F11 is shown.	1 set	<ul style="list-style-type: none"> ● Material Aluminum ● Finish/Color Anodized, Satin *Passage: No Lock *Privacy: Thumbturn and Slotted Lock Combination. Can be opened from outside with small coin or screwdriver. 						
						Strikeplate	 Included in Lever Handle package	<ul style="list-style-type: none"> ● Material Steel, Polyamide ● Finish/Color Plain, Black ● Screw 4x30 Flat Head Screw x 2 included 			
									Pivot Hinge for Aluminum Frame	 1 pair	<ul style="list-style-type: none"> ● Material Zinc Alloy (Body) 304 Stainless Steel (Bracket) ● Finish/Color Matte Chrome (Body) Plain (Bracket)

* Glass not included.



ORDERING INFO:

Please order parts based on required door size and opening dimensions.

e.g.) Single Swing Door Application

Door Size: H 86-5/8" x W 35-7/16" (H 2200 x W 900 mm)

Glass Thickness: 1/4" (6 mm)

Qty	No.	Item No.
2	①	AF-25-W01
1	②	AF-25-W02
-	③	AF-25-W03
4	④	AF-25-P04
3	⑤	AF-25-P15 (For 6 mm Glass)
-	⑥	AF-25-P16 (For 6 mm Glass)
2	⑦	AF-25-P01-25
1	⑧	AF-25-P06
1	⑨⑩	HCSA138F11 (Passage Type)
1	⑪	AF-25-P10
1	⑫	AF-25-DS