

EXTENSION HANGER



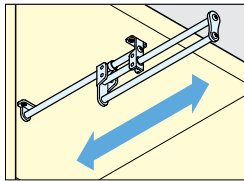
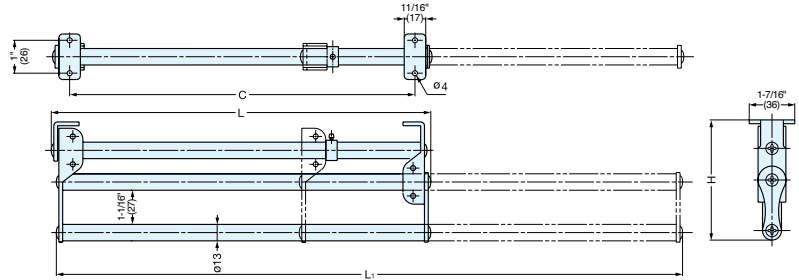
A SERIES

CLOSET HARDWARE

EXTENSION HANGERS / HANGER BRACKETS



- Space-saving, undermount design for narrow spaces.
- Includes 1" (3.5 × 25) long screws.



Material	Finish
430 Stainless Steel	Satin

Item No.	L ₁	L	H	C	Load Capacity (kg)	Weight (g)	Box (pcs)	Carton (pcs)
A-300	19-31/64" (495)	11-13/16" (300)	3-3/4" (95)	10-3/4" (273)	5 (11 lbs)	382	5	50
A-330	21-29/64" (545)	13" (330)		11-15/16" (303)		400		
A-360	23-35/64" (598)	14-11/64" (360)		13-1/8" (333)		440		
A-400	26-3/16" (665)	15-3/4" (400)		14-11/16" (373)		460		

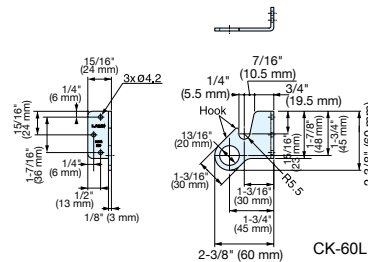
HANGER BRACKET



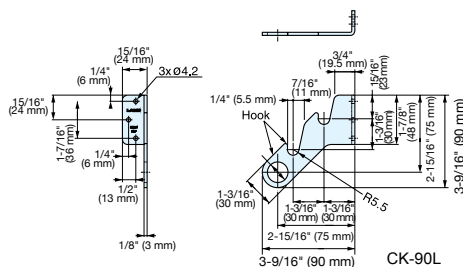
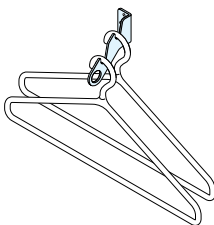
CK



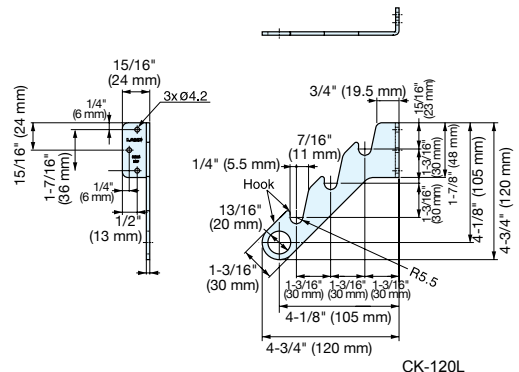
- Light duty hanger brackets for hanging garments, umbrellas, etc.
- Available with multiple notches and 3/4" hole.
- Surface mount onto wood panel/stud.
- Not recommended for drywall installation, or for use with laundry rods.
- Includes 3/4" (M4 × 20) long screws.



CK-60L



CK-90L



CK-120L

Item No.	Load Capacity	Weight (g)	Box (pcs)	Carton (pcs)
CK- 60L	3.3 lbs (1.5 kg)	66	15	150
CK- 90L		90	15	150
CK-120L		113	10	100

Material	Finish
304 Stainless Steel	Satin