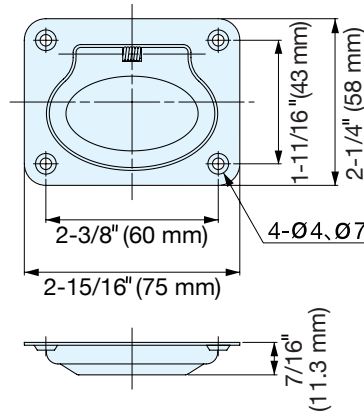


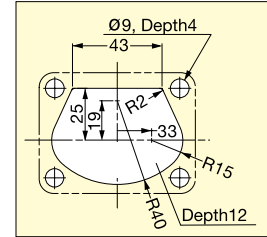
# FOLDING RING PULL (SPRING LOADED)



980643



- The pull is recessed into the mounting plate keeping it flush with the mounting surface.
- Low profile design.
- Spring loaded-snaps flat to stay out of the way when not in use.
- Ideal for vibration or shock applications.



Item No.	Weight (g)	Box (pcs)	Carton (pcs)
980643	51	10	200

Material	Finish
304 Stainless Steel	Polished

# FOLDING RING PULL (SPRING LOADED)



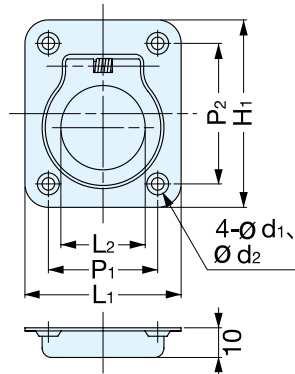
980641, 980642



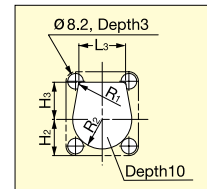
980642



980641



- The pull is recessed into the mounting plate keeping it flush with the mounting surface.
- Low profile design.
- Spring loaded-snaps flat to stay out of the way when not in use.
- Ideal for vibration or shock applications.



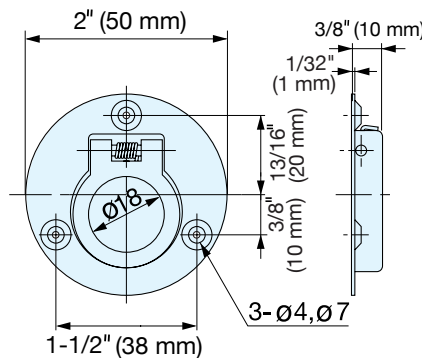
Material	Finish
304 Stainless Steel	Polished

Item No.	L <sub>1</sub>	L <sub>2</sub>	L <sub>3</sub>	H <sub>1</sub>	H <sub>2</sub>	H <sub>3</sub>	R <sub>1</sub>	ØR <sub>2</sub>	P <sub>1</sub>	P <sub>2</sub>	d <sub>1</sub>	d <sub>2</sub>	Weight (g)	Box (pcs)	Carton (pcs)
980641	1-1/2" (38 mm)	11/16" (18 mm)	15/16" (24.5 mm)	1-3/4" (44 mm)	3/4" (19 mm)	3/4" (19.5 mm)	9/16" (14.2 mm)	1-1/4" (31 mm)	1-1/8" (34 mm)	1-5/16" (34 mm)	1/8" (3.6 mm)	1/4" (6.2 mm)	21	10	500
980642	2" (50 mm)	1-1/16" (27 mm)	1" (25 mm)	2-3/8" (60 mm)	1" (25 mm)	1" (25 mm)	3/4" (19.5 mm)	16-3/16" (41 mm)	1-3/8" (35 mm)	1-3/4" (45 mm)	3/16" (4 mm)	1/4" (7 mm)	36		200

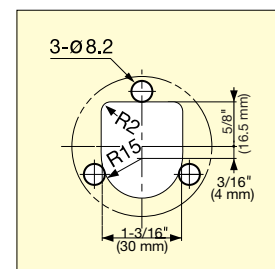
# FOLDING RING PULL (SPRING LOADED)



980640



- The pull is recessed into the mounting plate keeping it flush with the mounting surface.
- Low profile design.
- Spring loaded-snaps flat to stay out of the way when not in use.
- Ideal for vibration or shock applications.



Item No.	Weight (g)	Box (pcs)	Carton (pcs)
980640	23	10	300

Material	Finish
304 Stainless Steel	Polished