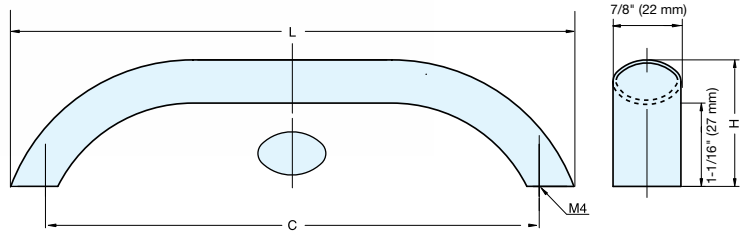
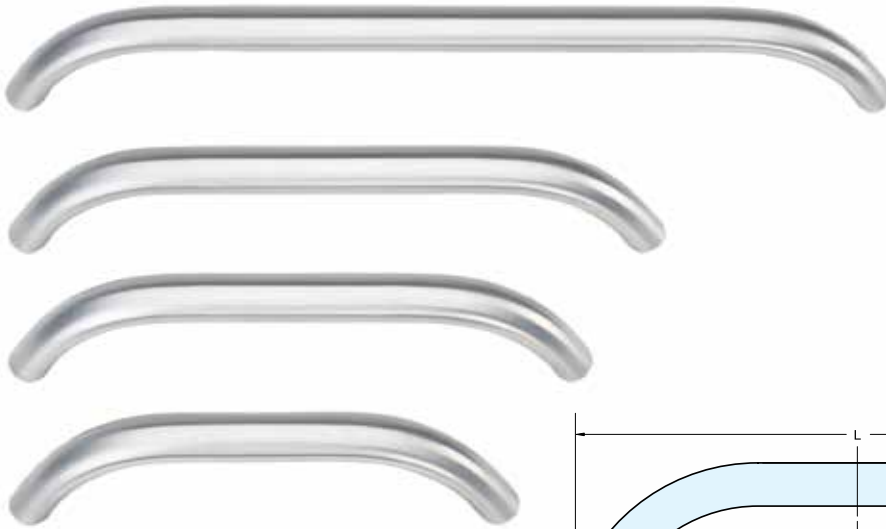


HANDLE



82 SERIES



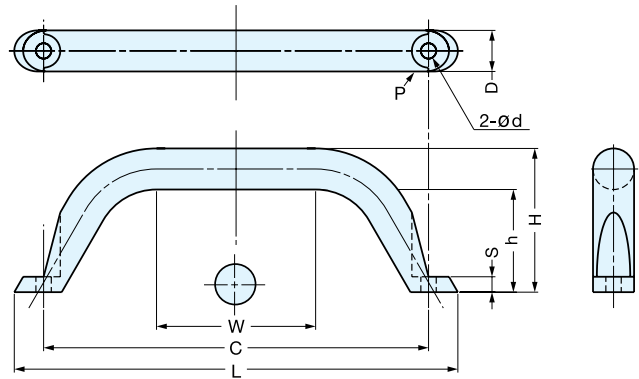
Item No.	L	C	H	Weight (g)	Box (pcs)	Carton (pcs)	Material	Finish
8261-S	7-3/16" (182 mm)	6-5/16" (160 mm)	1-5/8" (41 mm)	166	25	250	304 Stainless Steel	Satin
8262-S	8-7/16" (214 mm)	7-9/16" (192 mm)		179				
8263-S	9-11/16" (246 mm)	8-13/16" (224 mm)		192				
8264-S	13-7/16" (342 mm)	12-5/8" (320 mm)		231				

HANDLE



MG

- Ideal for harsh and high corrosive environments.
- Compliant with SEMI S8-0701 guideline.



Material	Finish
316 Stainless Steel	Mirror

Item No.	D	C	L	P	W	H	h	S	ød	Weight (g)	Box (pcs)	Carton (pcs)	Recommended Screw
MG-150	5/8" (16 mm)	5-15/16" (150 mm)	6-13/16" (172.8 mm)	R6.5	2-7/16" (62 mm)	2-3/16" (56 mm)	1-9/16" (40 mm)	1/4" (6 mm)	ø1/4" (ø6 mm)	295	10	40	M5
MG-190	11/16" (18 mm)	7-1/2" (190 mm)	8-1/2" (216.7 mm)	R7.5	3-5/8" (92 mm)	2-1/2" (63 mm)	1-3/4" (45 mm)	5/16" (8 mm)	ø1/4" (ø7 mm)	460	5	25	M6
MG-250		9-13/16" (250 mm)	10-7/8" (275.5 mm)		5-11/16" (145 mm)	2-11/16" (68 mm)	595			20			
MG-230T	13/16" (20 mm)	9-1/16" (230 mm)	10-1/4" (260 mm)	R9.0	5-1/16" (129 mm)	2-3/4" (70 mm)	2" (50 mm)	3/8" (10 mm)	ø3/8" (ø9 mm)	666		20	M8
MG-300T		11-13/16" (300 mm)	13" (330 mm)		7-13/16" (199 mm)	838							