

CABINET LOCK



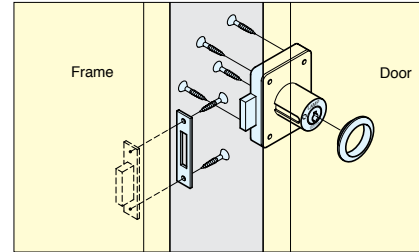
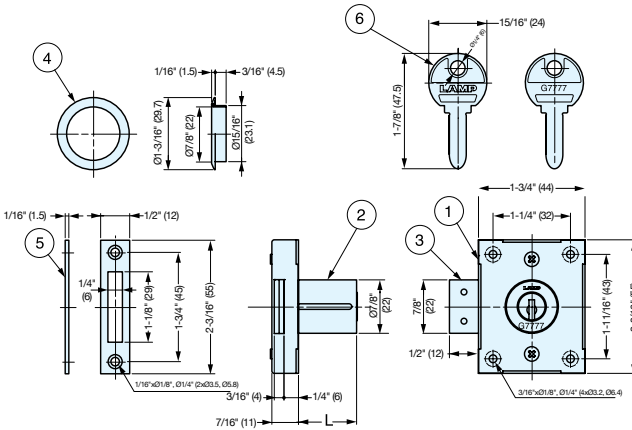
7810

LOCKS

CABINET LOCK / SPACER



- For use on right-handed doors (Lock for drawer application available by special order).
- High-security Million Lock dimple key; keys are reversible. Turn the key 360° to lock or unlock.
- Brass cylinder lock with stainless steel body.
- One million key changes available; Please specify keyed alike or differently when ordering.
- Includes screws.
- Available in Satin Nickel (NI), Chrome (CR) or Black (BL) finish.
- Can be used with spacer 6810-SP, sold separately. See below.
- Set includes 3 keys.
- Master key system available at a surcharge (Max. 2,520 key changes per master key.)



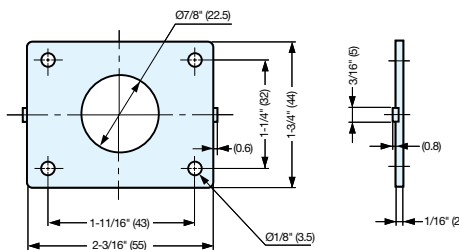
| No. | Part Name | Material | Finish |
|-----|------------------|---------------------|---|
| ① | Body | 304 Stainless Steel | Satin |
| ② | Cylinder Housing | Brass | Satin Nickel(NI) / Chrome(CR) / Black Chrome (BL) |
| ③ | Dead Bolt | 304 Stainless Steel | Plain |
| ④ | Ring | Brass | Satin Nickel(NI) / Chrome(CR) / Black Chrome (BL) |
| ⑤ | Counterplate | 304 Stainless Steel | Satin / Black Chrome (BL) |
| ⑥ | Key | Brass | Nickel |

| Item No. | L | Door Thickness | Weight (g) | Box (pcs) | Carton (pcs) |
|-----------|--------------|-------------------------|------------|-----------|--------------|
| 7810-24NI | 15/16" (24) | 7/8"~15/16" (22~24) | 190 | 12 | 60 |
| 7810-24CR | | | | | |
| 7810-24BL | | | | | |
| 7810-30NI | 1-3/16" (30) | 1-1/8"~1-3/16" (28~30) | 210 | | |
| 7810-30CR | | | | | |
| 7810-30BL | | | | | |
| 7810-36NI | 1-7/16" (36) | 1-5/16"~1-7/16" (34~36) | 225 | | |
| 7810-36CR | | | | | |
| 7810-36BL | | | | | |

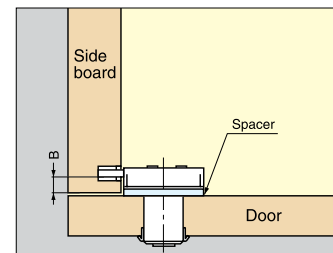
()units in mm

SPACER

6810-SP



- Distance spacer for 3810S, 6830, 7810, and 8810-24 series locks.
- Use when additional distance on dimension B is required.
- Thickness: 1/16" (2mm)
- Multiple spacers can be used if needed.



| Item No. | Thickness | Weight (g) | Box (pcs) | Carton (pcs) |
|----------|-----------|------------|-----------|--------------|
| 6810-SP | 1/16" (2) | 4.5 | 150 | 1500 |

()units in mm