



GLASS STANDOFF



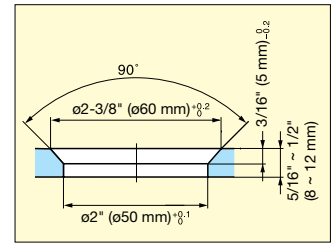
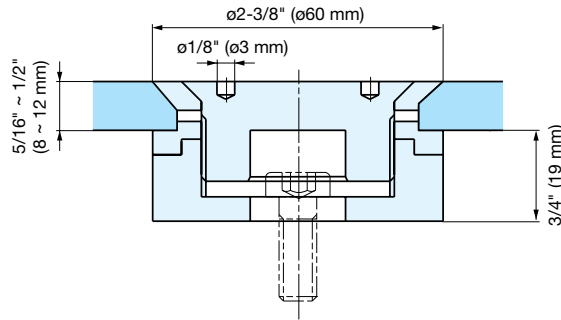
7010VA



- Flush mount type glass standoff.
- Recommended Screw Size: M8 bolt
- Recommended for use with tempered glass.



Z058
* Special wrench Z058 required for installation. (Sold Separately)



Cut Out Dimension

| Item No. | Glass Thickness | Weight (g) | Box (pcs) | Carton (pcs) | Material | Finish |
|----------|----------------------|------------|-----------|--------------|------------------------------|--------|
| 7010VA | 5/16"~1/2" (8~12 mm) | 435 | 4 | 40 | 302 Stainless Steel/Aluminum | Satin |



GLASS STANDOFF



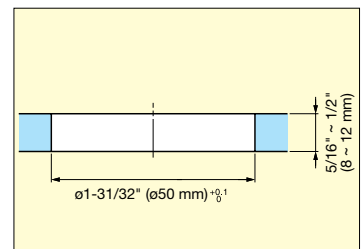
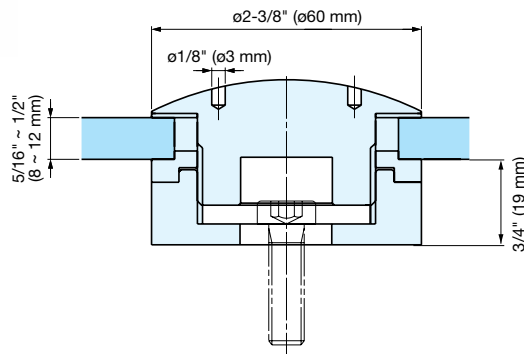
7015VA



- Glass standoff with round face plate.
- Recommended Screw Size: M8 bolt
- Recommended for use with tempered glass.



Z058
* Special wrench Z058 required for installation. (Sold Separately)



Cut Out Dimension

| Item No. | Glass Thickness | Weight (g) | Box (pcs) | Carton (pcs) | Material | Finish |
|----------|----------------------|------------|-----------|--------------|------------------------------|--------|
| 7015VA | 5/16"~1/2" (8~12 mm) | 520 | 4 | 40 | 302 Stainless Steel/Aluminum | Satin |