

# FULL EXTENSION SLIDE

STAINLESS  
**304**  
STEEL

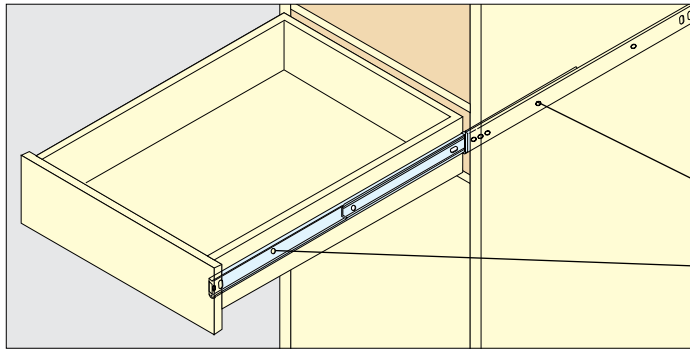
LOAD RATING  
64-116 kg  
140-255 lbs

NO SCREW

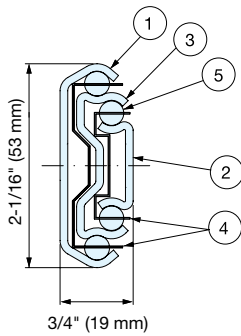
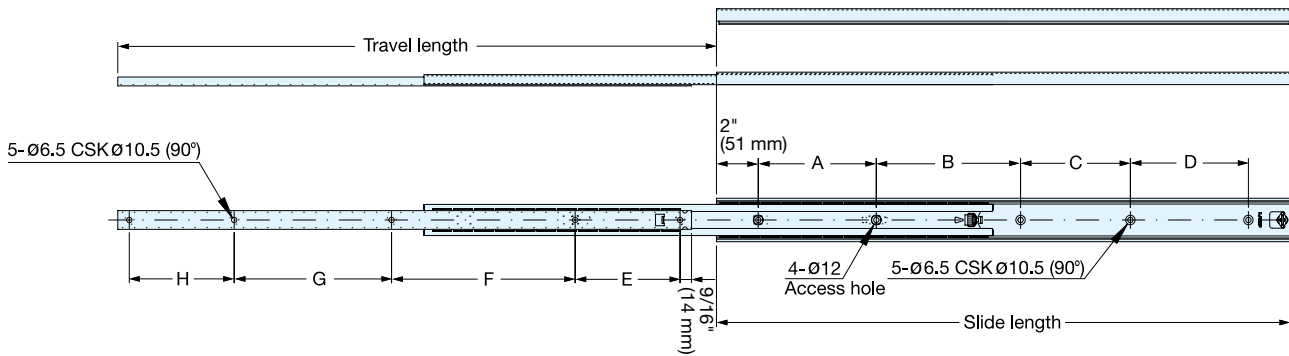
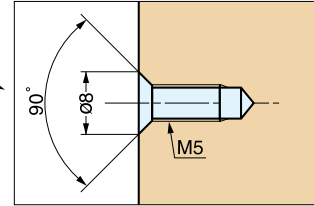
# 5302

DRAWER SLIDES

STAINLESS STEEL SLIDES



- Full extension.
- Positive stop.
- Non-handed.
- Hold-in detent.
- Sold by each.
- Mount with M5 Flat head screws.



25.4 mm=1"

No.	Part	Material
①	Outer Rail	304 Stainless Steel
②	Inner Rail	
③	Intermediate Member	
④	Retainer	
⑤	Balls	Rubber
⑤	Detent	

Item No.	Slide Length	Travel Length	A	B	C	D	E	F	G	H	Load Rating /pair	Weight (g)	Box (pcs)
5302-300	11-13/16" (300 mm)	13-1/8" (334 mm)	5-1/32" (128 mm)	(256)	-	-	(112)	(192)	-	-	255 lbs (116 kg)	860	20
5302-350	13-3/4" (350 mm)	15-1/8" (384 mm)	6-5/16" (160 mm)	(320)	-	-	(144)	(240)	-	-	244 lbs (111 kg)	1000	
5302-400	15-3/4" (400 mm)	17-1/16" (433 mm)	6-5/16" (160 mm)	(256)	(352)	-	(144)	(240)	(304)	-	218 lbs (99 kg)	1140	16
5302-450	17-11/16" (450 mm)	19" (482 mm)	5-1/32" (128 mm)	(288)	(416)	-	(80)	(272)	(352)	-	211 lbs (96 kg)	1280	
5302-500	19-11/16" (500 mm)	21" (532 mm)	5-1/32" (128 mm)	(288)	(448)	-	(112)	(272)	(384)	-	201 lbs (92 kg)	1430	10
5302-550	21-11/16" (550 mm)	22-13/16" (580 mm)	7-9/16" (192 mm)	(320)	(512)	-	(112)	(288)	(448)	-	188 lbs (86 kg)	1570	
5302-600	23-5/8" (600 mm)	24-13/16" (630 mm)	8-3/16" (208 mm)	(336)	(544)	-	(112)	(336)	(496)	-	177 lbs (81 kg)	1710	
5302-650	25-5/8" (650 mm)	26-5/8" (677 mm)	5-1/32" (128 mm)	(288)	(480)	(608)	(112)	(272)	(416)	(544)	166 lbs (76 kg)	1850	
5302-700	27-9/16" (700 mm)	28-5/8" (728 mm)	5-1/32" (128 mm)	(336)	(544)	(672)	(144)	(304)	(448)	(592)	155 lbs (71 kg)	2000	8
5302-750	29-1/2" (750 mm)	30-5/8" (777 mm)	7-9/16" (192 mm)	(370)	(530)	(722)	(176)	(336)	(496)	(648)	149 lbs (68 kg)	2140	
5302-800	31-1/2" (800 mm)	32-1/2" (826 mm)	8-13/16" (224 mm)	(388)	(548)	(772)	(192)	(384)	(576)	(688)	140 lbs (64 kg)	2280	

( ) units in mm.