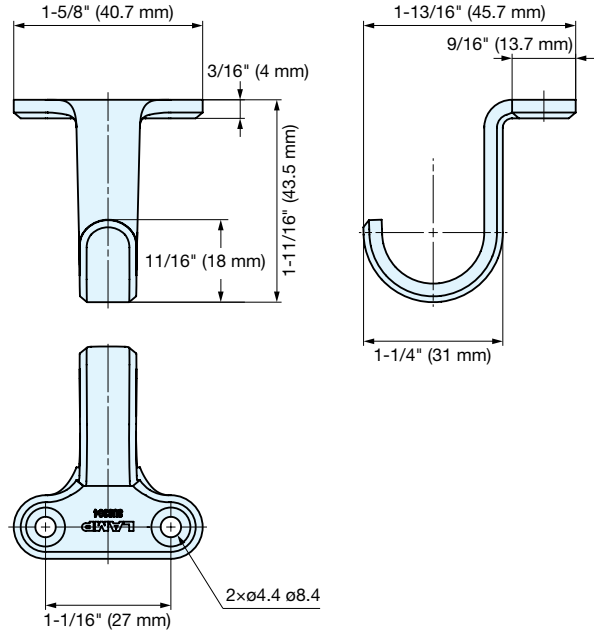


UNDERMOUNT HOOK



4HJU-40M

• Chamfered edges prevent injury.



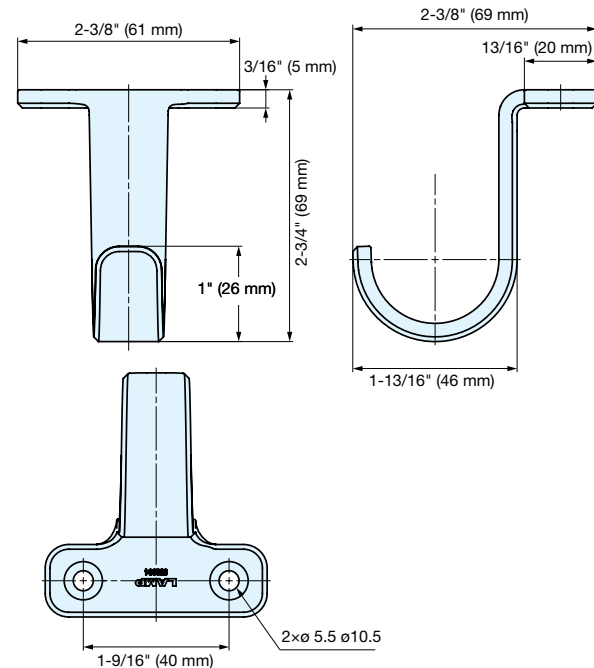
Item No.	Material	Finish	Load Capacity	Weight (g)
4HJU-40M	304 Stainless Steel	Mirror	33.7 lbs (15.3 kgf)	42.5

UNDERMOUNT HOOK



5HJU-60M

• Chamfered edges prevent injury.



Item No.	Material	Finish	Load Capacity	Weight (g)
5HJU-60M	304 Stainless Steel	Mirror	44.9 lbs (20.4 kgf)	130