



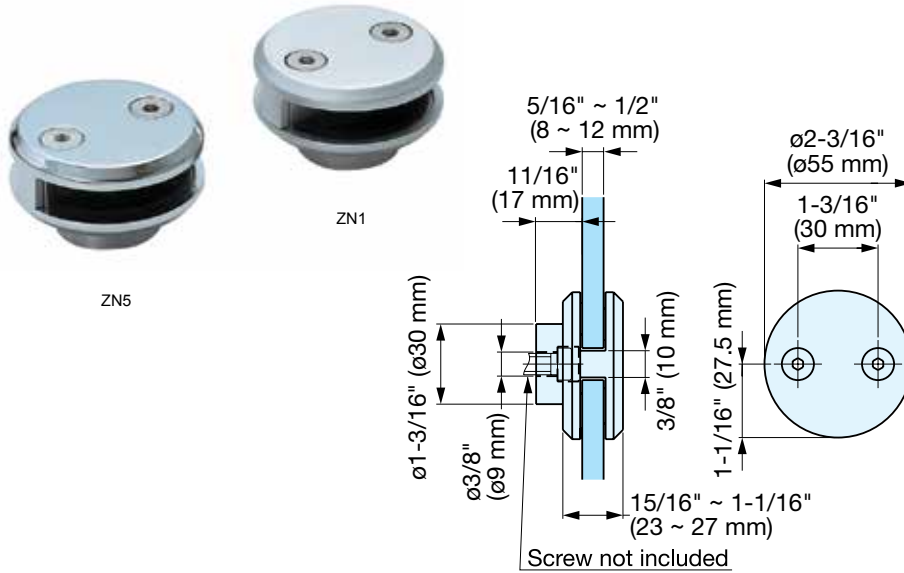
# GLASS CLAMP

4866

SHELF & SUPPORT HARDWARE

GLASS CLAMPS

- Front mount type glass clamp.
- For applications where glass panels need to be installed side by side.
- Equipped with adjustment screw to accommodate different glass thickness.
- See page 466 for load capacity.
- Tempered Glass Recommended.



Item No.	Glass Thickness	Weight (g)	Box (pcs)	Carton (pcs)	Material	Finish
					4866ZN5	5/16" ~ 1/2" (8~12 mm)

