

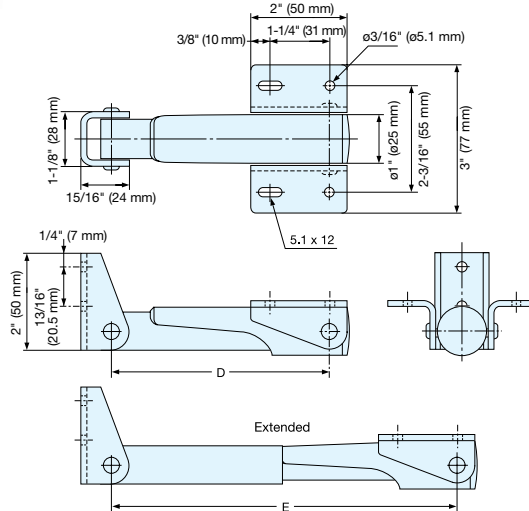
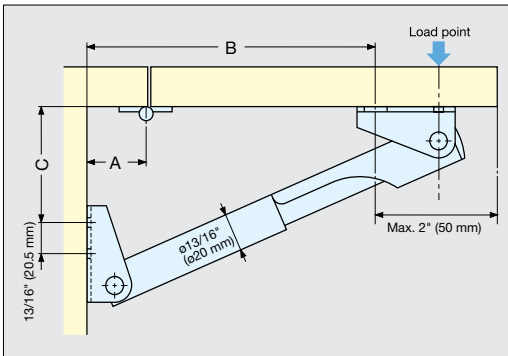
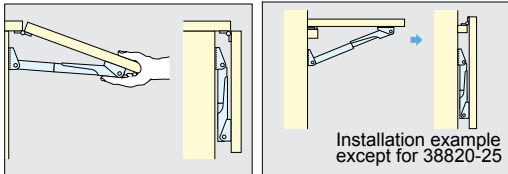
# FOLDING BRACKET



388



- Automatically locks when flap is in opened position.
- Press lever to release the lock.
- For panel thickness 9/16"~1-3/8" (15 ~ 35 mm)
- Required Quantity:
  - Width up to 23-5/8" (600 mm) ... 1 pc
  - Width 23-5/8"~51-3/16" (600 ~ 1300 mm) ... 2 pcs



Material	Finish/Color
Aluminum	Anodized
	Black (BLK)

Item No.	A	B	C	D	E	Load Capacity (kg)	Weight (g)	Box (pcs)	Carton (pcs)
38820-25	1"~1-3/16" (25~30 mm)	6-5/16" (161 mm)	9/16" (15 mm)	4-1/2" (114 mm)	7-1/16" (180 mm)	77 lbs (35 kg)	149	5	50
38820-25/BLK									
38830-25	1"~1-9/16" (25~39 mm)	9-15/16" (252 mm)	1-3/4" (45 mm)	6-5/8" (168 mm)	10-7/8" (275.9 mm)	121 lbs (55 kg)	187	5	30
38830-25/BLK								5	50
38845-25	1"~2" (25~50 mm)	15-13/16" (402 mm)	3-7/16" (87 mm)	10-3/16" (258.5 mm)	16-15/16" (430.8 mm)	132 lbs (60 kg)	266	5	30
38845-25/BLK								5	50
38860-25	1"~1-9/16" (25~40 mm)	21-5/8" (549 mm)	5-3/8" (137 mm)	14-1/2" (368.5 mm)	23-1/16" (585.8 mm)	176 lbs (80 kg)	342	5	30
38860-25/BLK								5	50

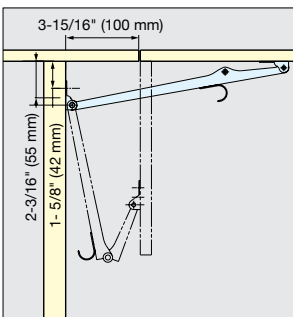
# SPRING LOADED BRACKET



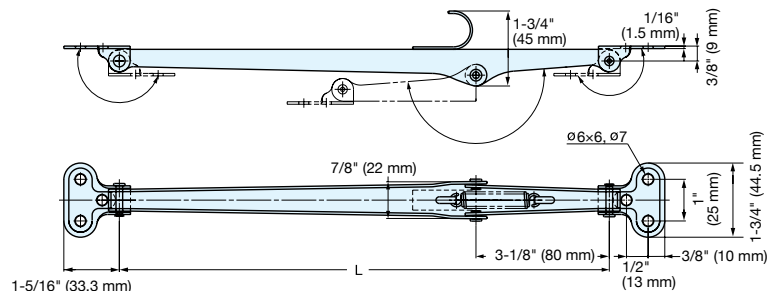
GTS-300



- Spring loaded for lift assist feature.
- Pull the knob to fold down.
- Max. depth of shelf is 17-3/4" (450 mm)
- Max. width of shelf is 11-13/16" (300 mm)



Installation



Material	Finish
304 Stainless Steel	Satin

Item No.	L	Load Capacity	Weight (g)	Box (pc)	Carton (pcs)
GTS-300	11-9/16" (294 mm)	6.6 lbs (3 kg) / 1pc, 13 lbs (6 kg) / 2pcs	190	12	96