

STAINLESS STEEL CABINET LOCK



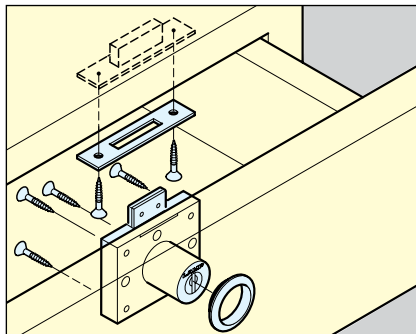
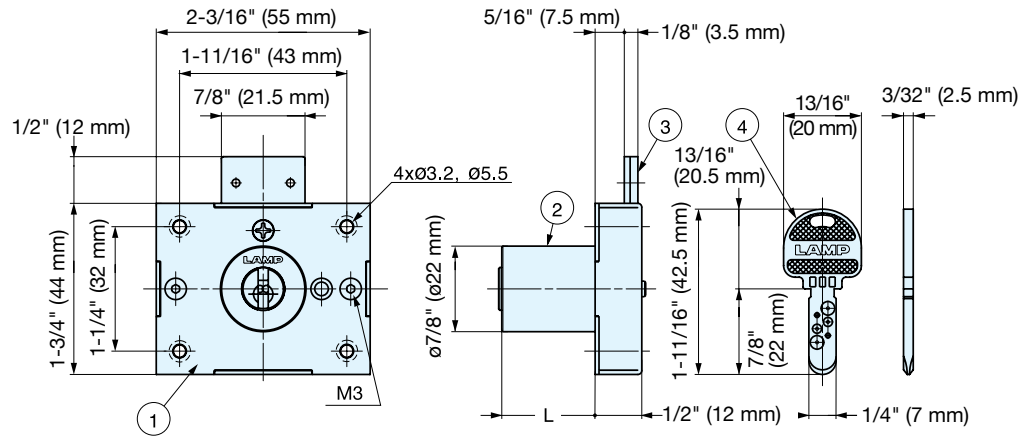
3810S

LOCKS

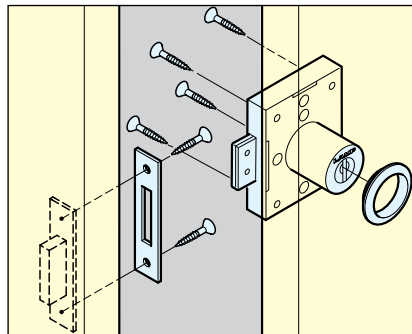
CABINET LOCKS



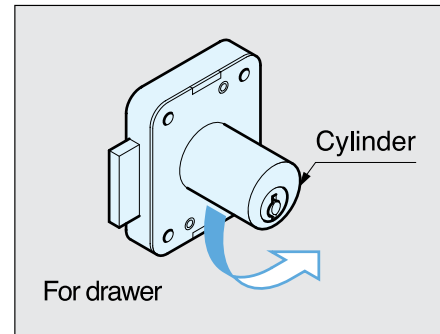
- Components made of 304 stainless steel for corrosion resistance.
- Durable key made of corrosion/abrasion resistant nickel. Key is reversible.
- Cylinder rotates for either drawer or cabinet door application.
- Up to 300 key changes available. Please specify keyed alike or differently when ordering.
- Master key option available as a special order at a surcharge.
- Can be used with spacer 6810-SP (P.623), sold separately.



Installation for drawer



Installation for right-handed door



To change lock for drawer application, turn cylinder 90° counterclockwise and install fixing screw.



6810-SP (Sold separately)

Item No.	L	Door Thickness	Weight (g)	Box (pcs)	Carton (pcs)
3810S-24	15/16" (24 mm)	15/16" (24 mm)	180	12	60
3810S-30	1-3/16" (30 mm)	1-3/16" (30 mm)	195		

(units in mm)

No.	Part Name	Material	Finish
①	Body*	304 Stainless Steel	Plain
②	Cylinder Housing		Satin
③	Dead Bolt	Nickel Silver	Plain
④	Key		

*Cylinder pins are made of brass.