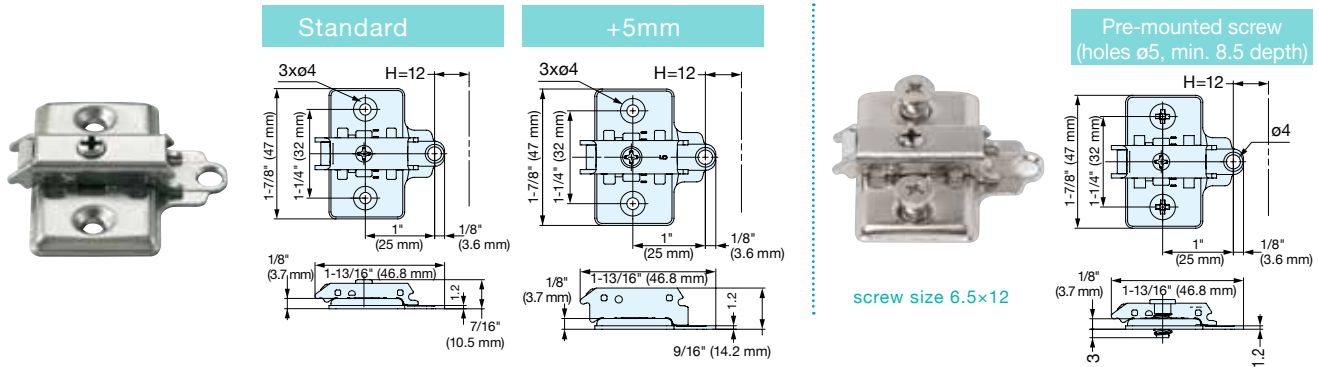


MOUNTING PLATES



360-P4W-32T

HINGES



- Value of H for inset installation is "door thickness + 11/16" (17 mm)".
- When using with the GH-360FP, value of H is "door thickness + 3/4" (19 mm)".

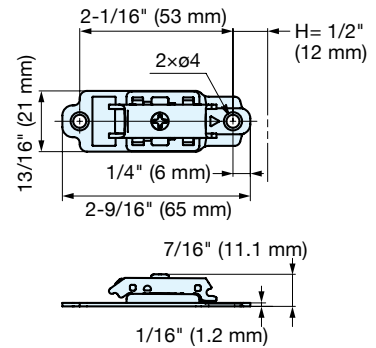
Item No	Type	Height Adjust	Material	Finish	Carton
360-P4W-32T	Standard	±1/8" (2.5 mm)	Steel	Nickel	400pcs
360-P4W-32T+5	+3/16" (5 mm)				
360-P4W-32T-DS	Pre-mounted screw				

MOUNTING PLATE (STRAIGHT TYPE)

360-P3W-53T



- The slim design gives a sleek look.
- When used with two H360 hinges, door specs should be:
 Door width Max 17-3/4" (450 mm)
 Door weight Max 15.4 lb (7 kg)



Item No.	Material	Finish	Weight (g)
360-P3W-53T	Steel	Nickel Plating	20

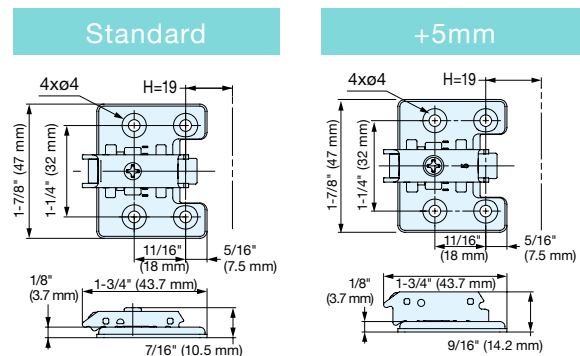
MOUNTING PLATES 4 HOLES



360-P6WT



- For the standard and +3/16" (5 mm) types:
- Value of H for inset installation is "door thickness + 15/16" (24 mm)".
 - When using with the GH-360FP, value of H is "door thickness + 1" (26 mm)".
- For the +5/16" (7.5 mm) type:
- Value of H for inset installation is "door thickness + 5/8" (16.5 mm)".
 - When using with the GH-360FP, value of H is "door thickness + 3/4" (18.5 mm)".



Item No	Type	Height Adjust	Material	Finish	Carton
360-P6WT	Standard	±1/8" (2.5 mm)	Steel	Nickel	400pcs
360-P6WT+5	+3/16" (5 mm)				

CONCEALED HINGE WITH ADJUSTABLE SOFT-CLOSE