

3/4" (19 mm overlay)

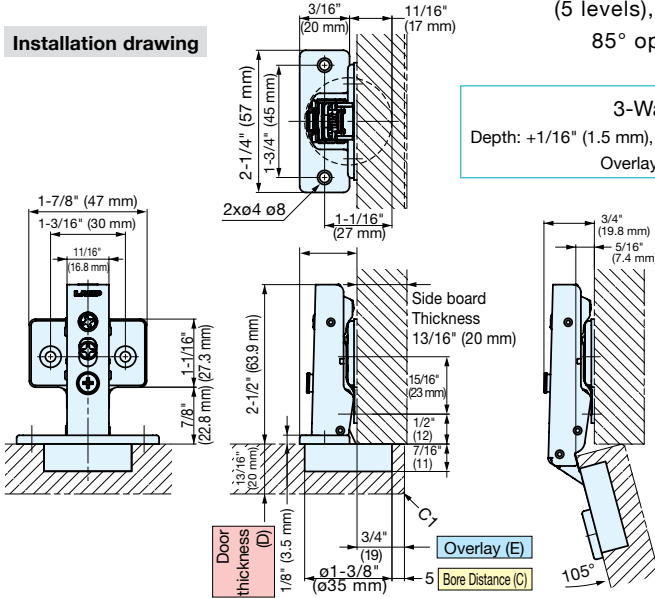


5-speed damper power adjustment lever

With damper function
(5 levels), 105° and
85° opening

- Featuring 5-speed adjustable damper.
- Load capacity: 13.2 lbs (6 kg)/2 pcs, 22 lbs (10 kg)/3 pcs.
- Maximum door width: 23-5/8" (600 mm).
- Maximum door thickness: 13/16" (20 mm)
- Clip on type for easy installation.
- 3-way adjustment with door installed.
- Mounting plate sold separately.
- Successfully passed 200,000 cycles test.
- Face frame cabinet bracket (FFCB-HG-1) required to install 360 Olympia overlay hinge on face frame cabinets. 1 bracket per hinge needed.
- FFCB-HG-1 is sold separately per piece.

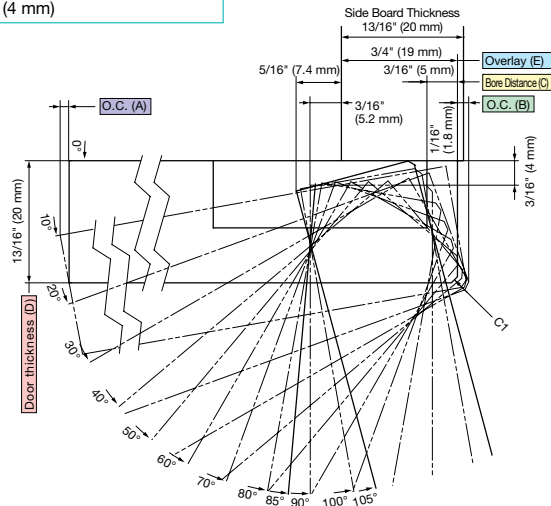
Installation drawing



3-Way adjustment
Depth: +1/16" (1.5 mm), -1/8" (2.5 mm), Vertical: ±1/8" (2.5 mm),
Overlay: +0, -3/16" (4 mm)



Locus chart S=1/1



Drawings show a hinge, face plate and 360-P4W-30T mounting plate (sold separately).

Opening Clearance (O.C.)

Clearances for door edge O.C. (A) and hinge side O.C. (B) are necessary. O.C. (A) and (B) change depending on door thickness and bore distance (C). Refer to locus chart and tables below when designing cabinets.

Opening clearance (B), door thickness (D) and bore distance (C) relationship

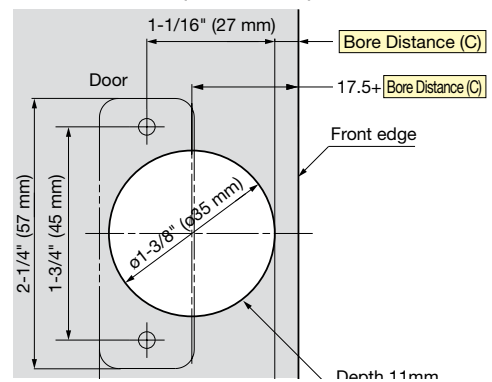
Door Thickness (D)	Bore Distance (C)		
	1/8" (3 mm)	3/16" (4 mm)	3/16" (5 mm)
9/16" (15 mm)	0.6	0.6	0.5
5/8" (16 mm)	0.8	0.8	0.7
11/16" (17 mm)	1.0	1.0	1.0
11/16" (18 mm)	1.3	1.3	1.2
3/4" (19 mm)	1.6	1.6	1.5
13/16" (20 mm)	2	1.9	1.8
13/16" (21 mm)*	2.4	2.3	2.2
7/8" (22 mm)*	2.8	2.7	2.6

O.C. (B)

* The table above shows O.C. (B) for C1 chamfering (chamfer plane).

* Please refer to the locus chart if door thickness is over 13/16" (20 mm). O.C. (B) can be made smaller by R chamfering (round chamfer) and C chamfering (chamfer plane) on the door.

Cut out dimensions (wooden doors)



Bore distance (C) and overlay (E) relationship

Bore Distance (C)	1/8" (3 mm)	3/16" (4 mm)	3/16" (5 mm)
Overlay (E)	11/16" (17 mm)	11/16" (18 mm)	3/4" (19 mm)

Overlay can be decreased by up to (4 mm) by turning the overlay adjustment screw.

Opening clearance (A) and door width relationship (for 25/32" (20 mm) thick door)

Door Width	11-13/16" (300 mm)	15-3/4" (400 mm)	19-11/16" (500 mm)	23-5/8" (600 mm)
O.C. (A)	0.13	0.09	0.07	0.06

Item No	Opening angle	Type	Material	Finish	Carton (pcs)
360-D26-19T	105°	Soft close (5 levels)	Steel	Nickel	100
360-26-19T		Free swinging			
360-C26-19T		Self-closing			200
360-U26-19T		Self-opening			
360-D26-19T85	85°	Soft close (5 levels)			100
360-26-19T85		Free swinging			200
360-C26-19T85		Self-closing			