

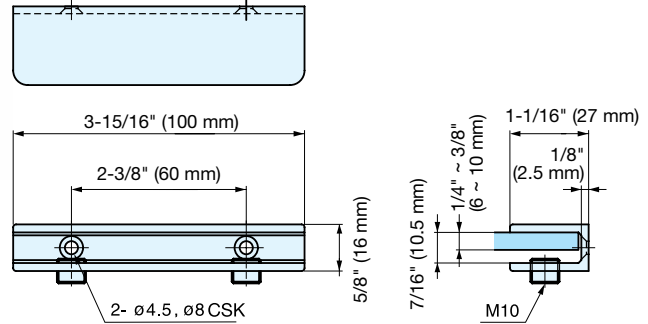


GLASS SHELF SUPPORT



2881

- Load capacity (center of glass) 44 lbs (20 kg)/ pair with shelf support distance max. 19-11/16" (500 mm), glass depth max. 11-13/16" (300 mm).
- Tempered Glass Recommended.



Item No.	Glass Thickness	Weight (g)	Box (pcs)	Carton (pcs)	Material	Finish
2881ZN1	1/4" ~ 3/8" (6 mm ~ 10 mm)	118	20	200	Zinc Alloy	Matte Chrome (ZN1)
2881ZN5						Chrome (ZN5)

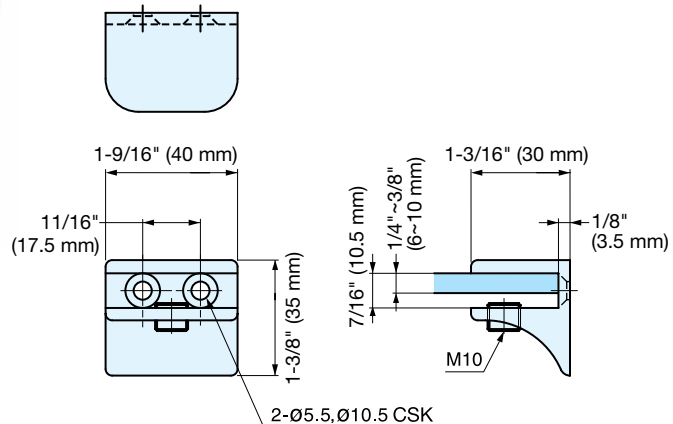


GLASS SHELF SUPPORT



2885

- Load capacity (center of glass) 55 lbs (25 kg)/ pair with shelf support distance max. 19-11/16" (500 mm), glass depth max. 11-13/16" (300 mm).
- Tempered Glass Recommended.



Item No.	Glass Thickness	Weight (g)	Box (pcs)	Carton (pcs)	Material	Finish
2885ZN1	1/4" ~ 3/8" (6 mm ~ 10 mm)	83	20	200	Zinc Alloy	Matte Chrome (ZN1)
2885ZN5						Chrome (ZN5)
2885VA2						304 Stainless Steel