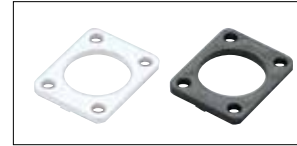
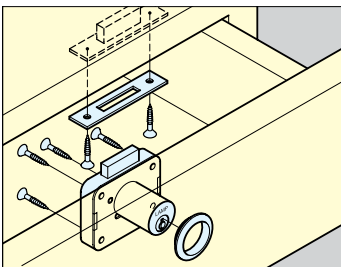


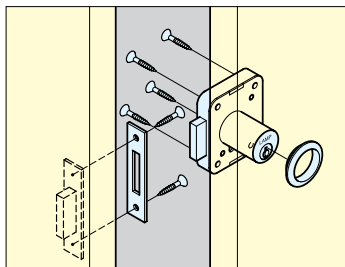
- Cabinet lock with 90° rotating cylinder for right-handed doors (see diagram below).
- Up to 48 key changes available for 2650-16; up to 96 key changes available for each of 2650-22 and 2650-30.
- Please specify keyed alike or differently when ordering.
- Can be used with spacer TSSP (P.629), sold separately.



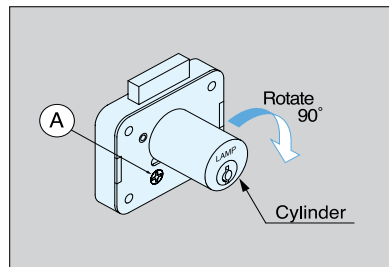
TSSP SERIES (Sold separately)



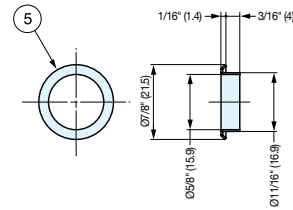
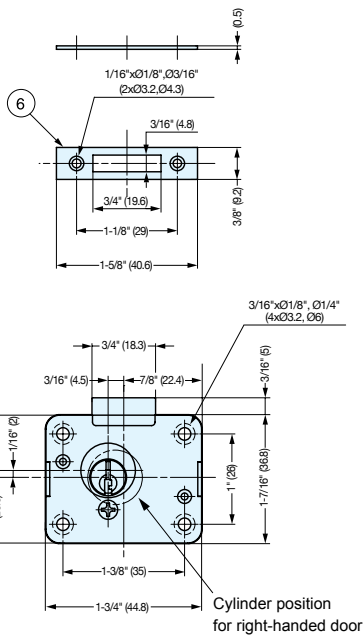
Installation for drawer



Installation for right-handed door



To rotate cylinder, loosen screw **A** and rotate cylinder 90° clockwise and tighten it afterwards.



No.	Part Name	Material	Finish
①	Cylinder Housing	Zinc Alloy	Satin Nickel
②	Body		Yellow Zinc Chromate
③	Dead Bolt	Brass	Nickel
④	Key		Nickel
⑤	Ring		Satin Nickel
⑥	Counterplate		Plain

Item No.	L	Door Thickness	Weight (g)	Box (pcs)	Carton (pcs)
2650-16-DN	5/8" (16)	5/8" (16)	81.5	12	240
2650-22-DN	7/8" (22)	7/8" (22)	89.5		
2650-30-DN	1-3/16" (30)	1-3/16" (30)	98.0		

(units in mm)