

CABINET LOCK

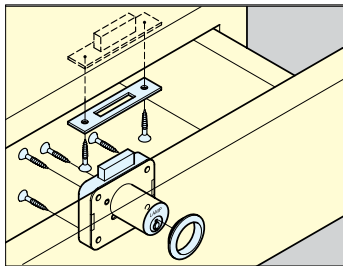


2550

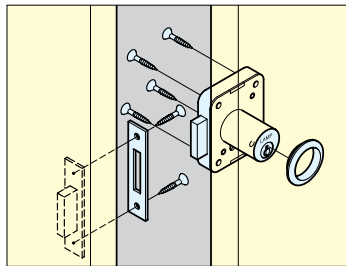
LOCKS

CABINET LOCKS

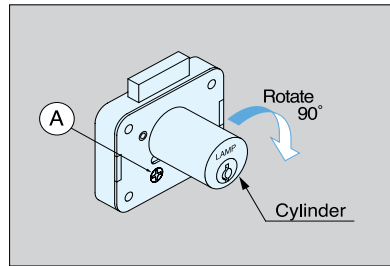
- Cabinet lock with 90° rotating cylinder for right-handed doors (see diagram below).
- Up to 300 key changes available; Please specify keyed alike or differently when ordering. (80 key changes per master key.)
- Includes screws.
- Master key available as a special order at a surcharge.



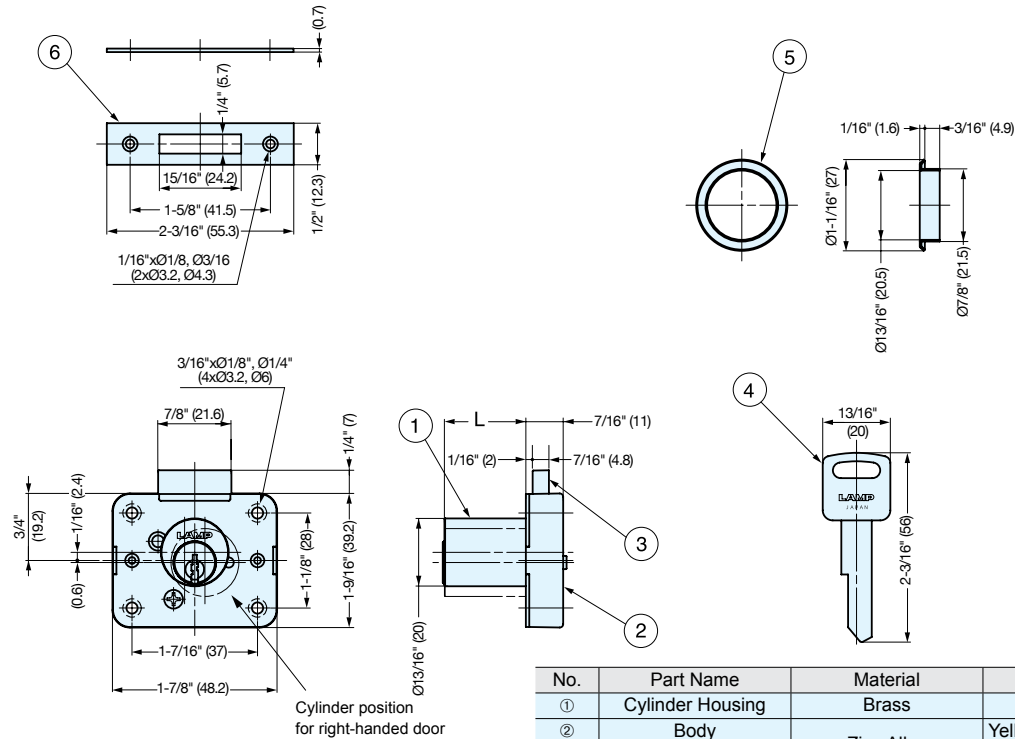
Installation for drawer



Installation for right-handed door



To rotate cylinder, loosen screw **A** and rotate cylinder 90° clockwise and tighten it afterwards.



Cylinder position for right-handed door

No.	Part Name	Material	Finish
①	Cylinder Housing	Brass	Nickel
②	Body	Zinc Alloy	Yellow Zinc Chromate
③	Dead Bolt		Nickel
④	Key	Brass	Nickel
⑤	Ring		Satin Nickel
⑥	Counterplate		Nickel

Item No.	L	Door Thickness (mm)	Weight (g)	Box (pcs)	Carton (pcs)
2550-24-DN	15/16" (24)	15/16" (24)	140	12	60
2550-24-DNМК					80
2550-36-DN	1-7/16" (36)	1-7/16" (36)	170		60
2550-36-DNМК					80

(Units in mm)