

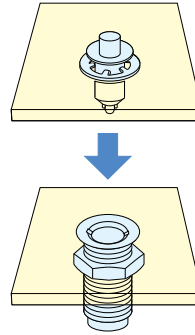
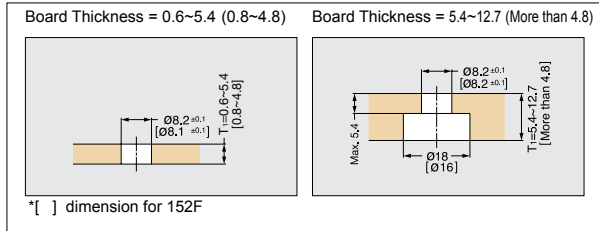
PUSH LOCK FASTENER (MINI/FLUSH TYPE)

252F, 152F

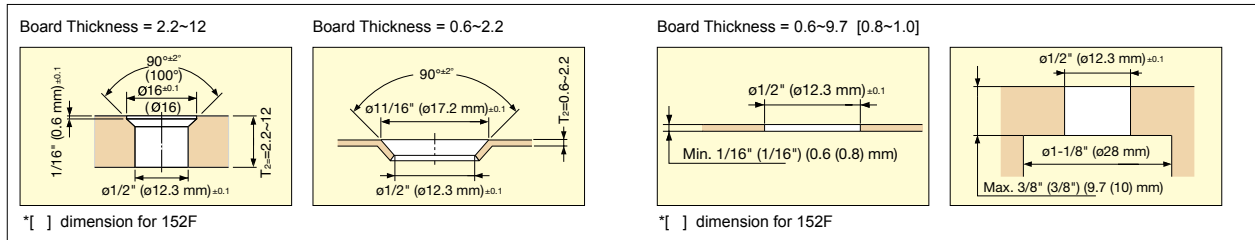


- 2 piece fastener allows for fast and easy access with complete removal of panel.
- Attach socket into outer panel/plug into removable panel.
- Insert plug into socket and push to lock/unlock.
- Flush locked design prevents snagging.
- Fastens plastic or sheet metal panels.

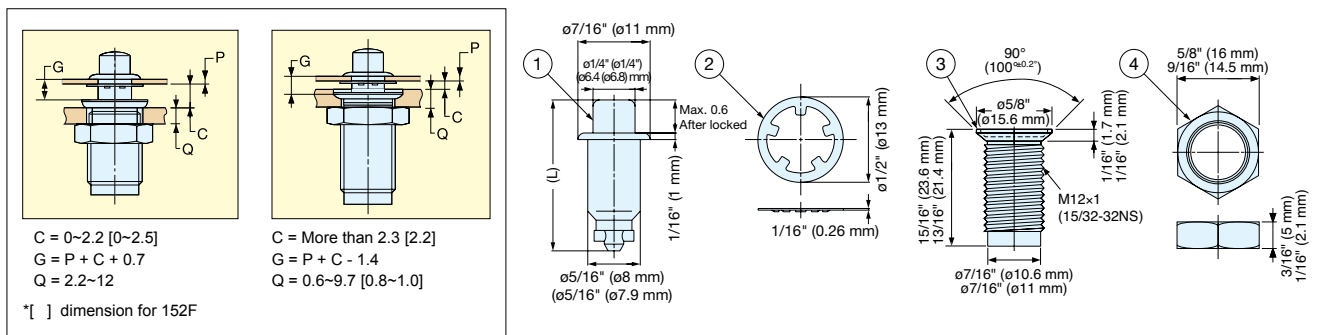
■ Preparation (Plug)



■ Preparation (Socket)



■ Grip Dimensions



■ 252F

No.	Part Name	Material	Finish
①	Plug	Polyacetal	Black
②	Ring	Steel	
③	Socket	Polyacetal	
④	Nut		

■ 152F

No.	Part Name	Material	Finish
①	Plug	Brass	Chrome
②	Ring	304 Stainless steel	Plain
③	Socket	Zinc Alloy	Chromate
④	Nut	Steel	

Item No.	Grip Dimension G	Plug Dimension L	Retaining Force	Weight (g)	Item No.	Grip Dimension G	Plug Dimension L	Retaining Force	Weight (g)
252F-01-3	1/16"~3/32" (1.2~2.0 mm)	18.5	33 lbs (14.97 kg)	6	152F-01-1	1/16"~3/32" (1.2~2.0 mm)	16.5	33 lbs (14.97 kg)	6
252F-02-3	3/32"~ 1/8" (2.0~2.8 mm)	19.0			152F-02-1	3/32"~ 1/8" (2.0~2.8 mm)	17.0		
252F-03-3	1/8"~ 9/64" (2.8~3.6 mm)	20.0			152F-03-1	1/8"~ 9/64" (2.8~3.6 mm)	18.0		
252F-04-3	9/64"~5/32" (3.6~4.4 mm)	20.5			152F-04-1	9/64"~5/32" (3.6~4.4 mm)	18.5		
252F-05-3	5/32"~3/16" (4.4~5.2 mm)	21.5			152F-05-1	5/32"~3/16" (4.4~5.2 mm)	19.5		
252F-06-3	3/16"~1/4" (5.2~6.0 mm)	22.5			152F-06-1	3/16"~1/4" (5.2~6.0 mm)	20.5		