

CABINET LOCK (W/INDICATOR)



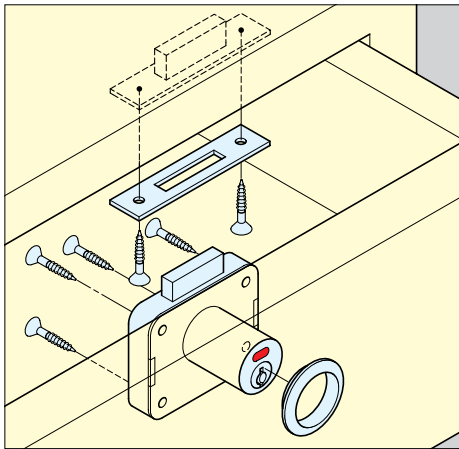
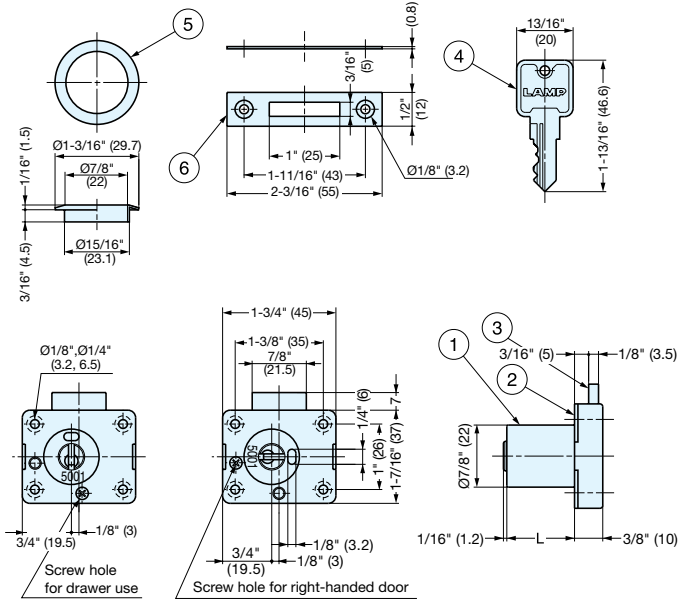
2200

LOCKS

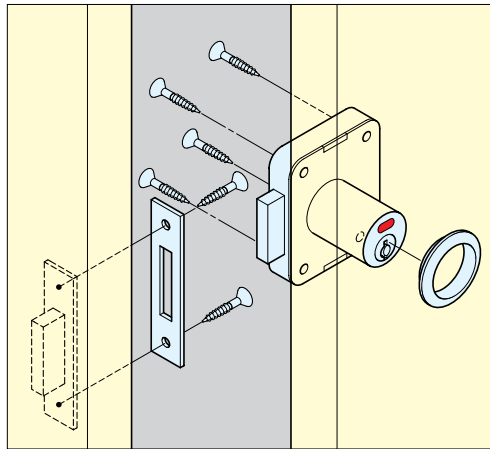
CABINET LOCKS



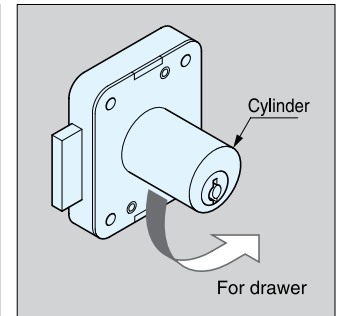
- Cylinder lock with locked/unlocked indicator.
- Indicator: Unlocked - Blue, Locked - Red
- Cylinder rotates for either drawer or cabinet door application.
- Cylinder Diameter: 7/8" (22 mm)
- 12 key changes available.
- Keyed Alike (KA) or Keyed Different (KD) available; Please specify when ordering.
- Master key available at surcharge. (2200-24MK, 2200-30MK)
- Keys can be shared with other 2200 series locks.
- 3/16" (4 mm) plastic distance plate TSSP available for various door thickness. See P.629



Installation for drawer



Installation for right-handed door



To change lock for drawer application:
turn lock cylinder 90° counterclockwise and install fixing screw.

No.	Part Name	Material	Finish
①	Cylinder Housing	Zinc Alloy	Nickel
②	Body	Brass	
③	Dead Bolt		
④	Key		
⑤	Ring	304 Stainless Steel	Plain
⑥	Counterplate		

Item No.	L	Door Thickness	Weight (g)	Box (pcs)	Carton (pcs)
2200-24	15/16" (24)	15/16" (24)	115	12	120
2200-30	1-3/16" (30)	1-3/16" (30)	141		

(Units in mm)