

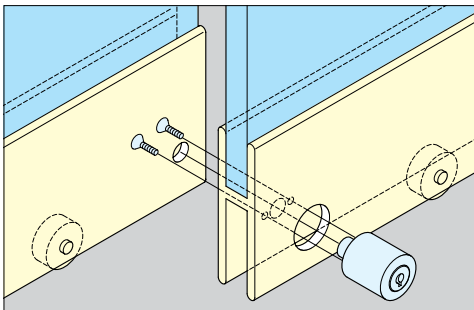
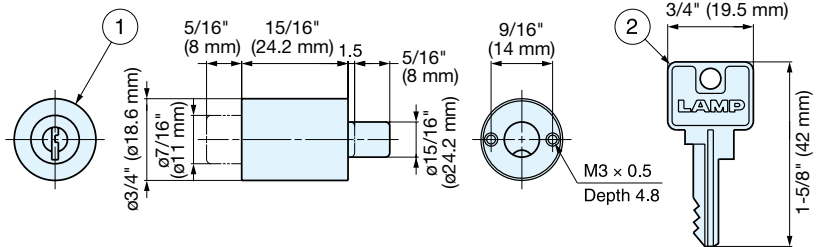
PUSH LOCK



2150B



- Zinc alloy cylinder push lock for metal-framed glass door or sheet metal double sliding doors.
- Push cylinder to lock.
- Cylinder Diameter: 3/4" (18.6 mm)
- 24 key changes available; Please specify keyed alike or differently when ordering.
- Master key NOT available.



Installation

PUSH LOCKS

Item No.	Metal Frame Thickness	Weight (g)	Box (pcs)	Carton (pcs)
2150B	15/16" (24 mm)	50	24	240

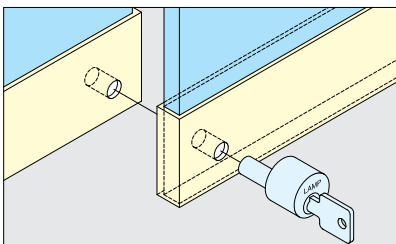
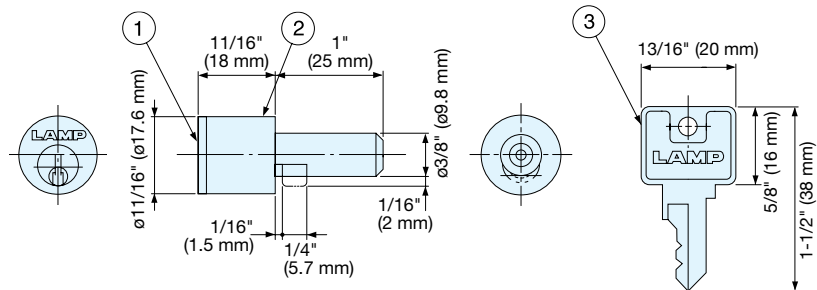
No.	Part Name	Material	Finish
①	Body	Zinc Alloy	Nickel
②	Key	Brass	

PUSH LOCK

6300



- Zinc alloy cylinder push lock for metal-framed glass doors.
- Easy installation. 3/8" (10 mm) hole required on door.
- Cylinder Diameter: 11/16" (17.6 mm)
- Bolt Length: 1" (25 mm)
- Bolt Diameter: 3/8" (9.8 mm)
- 96 key changes available; Please specify keyed alike or differently when ordering.
- Master key NOT available.
- For material thickness is 1/16" (1.2 mm).



Installation

No.	Part Name	Material	Finish
①	Body	Zinc Alloy	Satin Nickel
②	Cover	Brass	Nickel
③	Key		

Item No.	Metal Frame Thickness	Cylinder Diameter	Key Changes	Keys Included	Weight (g)	Box (pcs)	Carton (pcs)
6300	3/4" (19 mm)	11/16" (17.6 mm)	96	2	50	24	240