

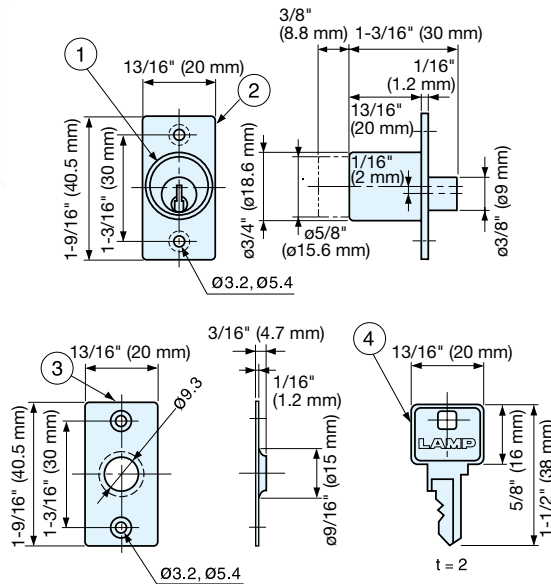
PUSH LOCK



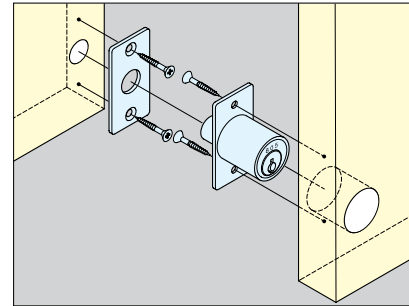
2100M

LOCKS

PUSH LOCKS



- Zinc alloy cylinder push lock for sliding doors.
- Push cylinder to lock.
- Cylinder Length: 13/16" (20 mm)
- Cylinder Diameter: 3/4" (18.6 mm)
- 12 key changes available.
- Please specify keyed alike or differently when ordering.
- Master key NOT available.
- Keys can be shared with other 2100 series locks.



Installation

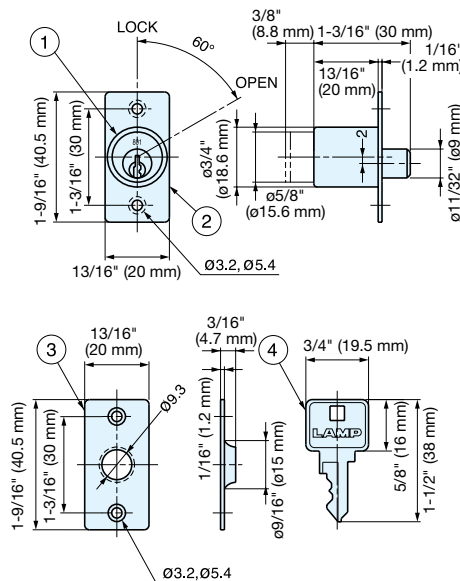
No.	Part Name	Material	Finish
①	Cylinder Housing	Zinc Alloy	Satin Nickel
②	Mounting Plate	Brass	Nickel
③	Counterplate		
④	Key		

Item No.	Door Thickness	Weight (g)	Box (pcs)	Carton (pcs)
2100M	13/16" (20 mm)	60	12	240

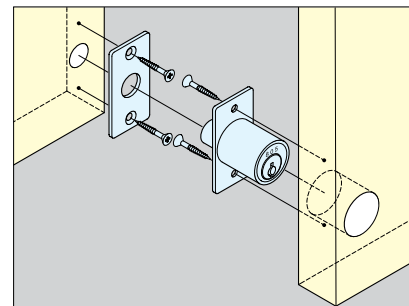
PUSH LOCK



2110M



- Zinc alloy cylinder push lock for sliding doors.
- Key is required to lock and to unlock.
- To Lock: Insert key and turn 60° clockwise. Push-in the cylinder and turn the key 60° back.
- Key is removable in both locked and un-locked position.
- Cylinder Length: 13/16" (20 mm)
- Cylinder Diameter: 3/4" (18.6 mm)
- 12 key changes available.
- Please specify keyed alike or differently when ordering.
- Master key NOT available.
- Keys can be shared with other 2100 series locks.



Installation

No.	Part Name	Material	Finish
①	Cylinder Housing	Zinc Alloy	Nickel
②	Mounting Plate	Brass	
③	Counterplate		
④	Key		

Item No.	Door Thickness	Weight (g)	Box (pcs)	Carton (pcs)
2110M	13/16" (20 mm)	60	12	240