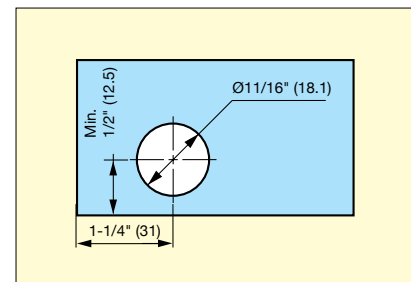
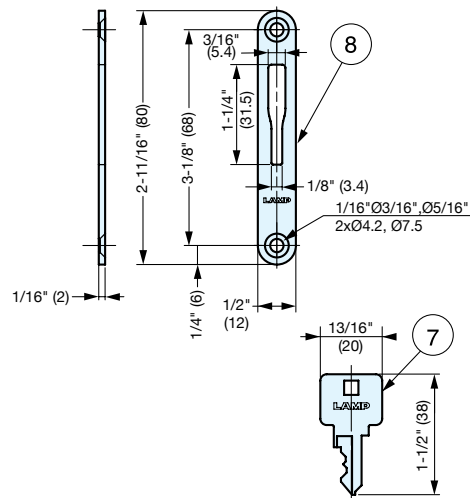
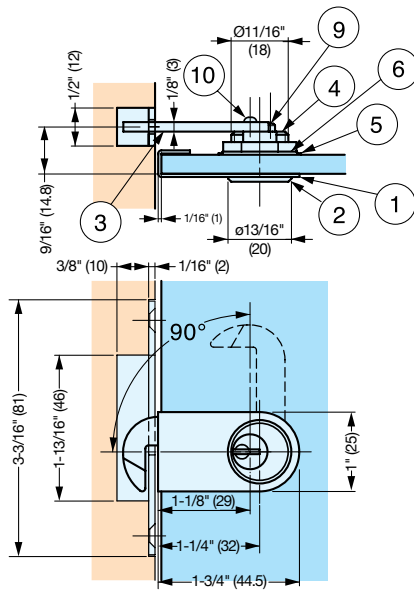


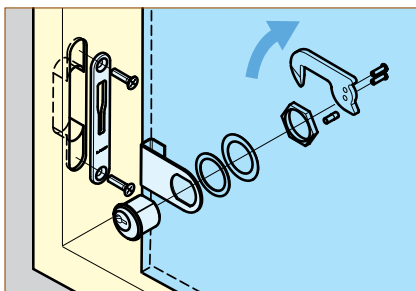
GLASS DOOR CAM LOCK

2100GLK

- For swinging glass doors with glass 3/16" to 1/4" (4 to 6 mm) thick.
- Requires $\varnothing 11/16"$ (18.1 mm) bore for installation.
- Non-handed, swinging cam can be mounted to swing left or right.
- Key acts as a knob and can only be removed when locked.
- 12 key changes are available; please specify keyed alike or differently when ordering.



Cut Out Dimension



| Item No. | Glass Thickness | Key Changes | Key (pcs) | Weight (g) | Box (pcs) | Carton (pcs) |
|----------|------------------|-------------|-----------|------------|-----------|--------------|
| 2100GLK | 3/16"~1/4" (4~6) | 12 | 1 | 75 | 12 | 120 |

(Units in mm)

| No. | Part Name | Material | Finish/Color |
|-----|----------------|---------------------|--------------|
| ① | Front Plate | 304 Stainless Steel | Satin |
| ② | Body | Brass | Satin Nickel |
| ③ | Cam | Steel | Nickel |
| ④ | Hex Nut | Brass | Nickel |
| ⑤ | Plastic Washer | Polyamide | Natural |
| ⑥ | Washer | Steel | Nickel |
| ⑦ | Key | Brass | Nickel |
| ⑧ | Counterplate | Steel | Nickel |
| ⑨ | Pin | Brass | Plain |
| ⑩ | Screw | Steel | Nickel |