

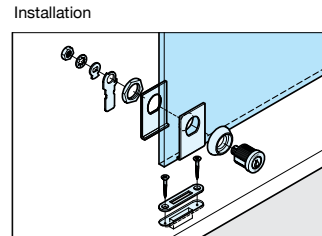
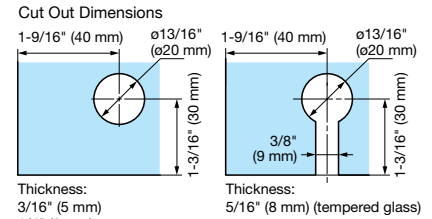
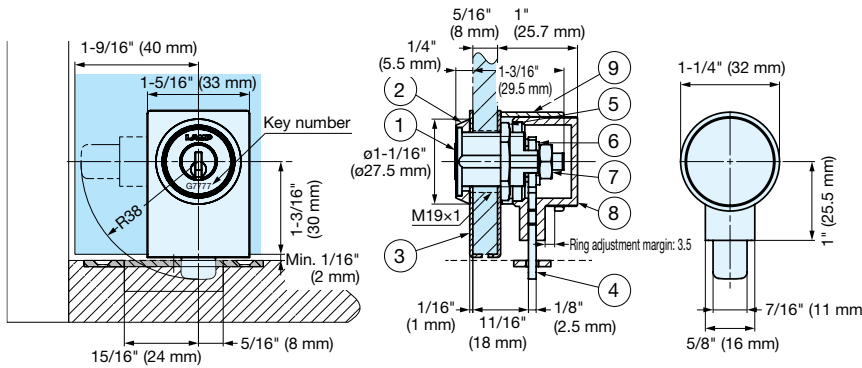
SQUARED CYLINDER GLASS LOCK



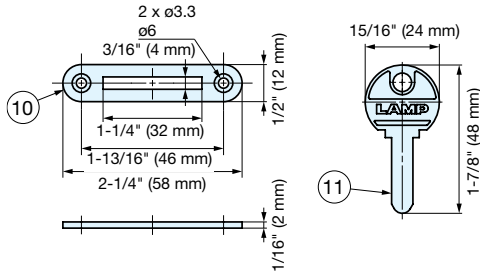
1310GL-SQ



- Clean, squared-off design.
- Ideal for showcase or display applications.
- High-security dimpled key design is reversible, and will only release when locked.
- For total design coordination pair locks with our HES3D-90, GH-450, or GH-450G hinges.
- 1 million key changes available.
- Master key system available at surcharge. (Max. 2520 key changes per master key.)



Turn 90° clockwise to unlock (the lock plate also rotates 90°).



No.	Part Name	Material	Finish			
			SN	CR	GC	BL
①	Body	Brass	Satin Nickel Plating	Chrome Plating	Gold Plating	Black Chrome
②	Square Ring					
③	Square Front Plate	304 Stainless Steel	Satin	Polished	Plain	
④	Lock Plate					
⑤	Hex Nut	Steel	Special Rustproof Coating/ Silver			
⑥	Washer					
⑦	Hex Nut	Polypropylene	Black			
⑧	Case Cover					
⑨	Ring					
⑩	Strike	304 Stainless Steel	Polished	Gold Plating	Black Chrome	
⑪	Key		Nickel Plating			

Item No.	Key Type	Glass Thickness	Finish/Color	Key Removal	Key Rotation	Weight (g)	Box (pcs)	Carton (pcs)
1310GL-SQ-SN-KD	Keyed Different	13/16" ~ 5/16" (5 - 8 mm)	Satin Nickel Plating	1 Position	90°	147	12	60
1310GL-SQ-SN-G1001	Keyed Alike							
1310GL-SQ-CR-KD	Keyed Different							
1310GL-SQ-CR-G1001	Keyed Alike							
1310GL-SQ-GP-KD	Keyed Different							
1310GL-SQ-GP-G1001	Keyed Alike							
1310GL-SQ-BL-KD	Keyed Different							
1310GL-SQ-BL-G1001	Keyed Alike							

Multiple cabinets can be locked and unlocked with the same key

As shown in the figure, the same key can be used to lock and unlock multiple cabinets in the Million Lock Series if the same key number is specified.

Doors supported by this product

Glass single doors

Doors supported by other locks in the Million Lock Series

Wooden drawers

Wooden single doors

Wooden double doors

Wooden sliding doors

Glass single doors

Glass double doors

Sheet metal single doors

Sheet metal sliding doors