

FLUSH SLAM LATCH



LC-60

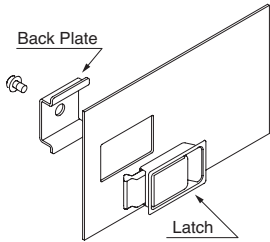


- Easy installation and operation: large finger pull, automatically locks doors when closed.
- 304 stainless steel material (case and handle).
- Screws: included (stainless steel) with spring washer.
- UL94-HB: latch bolt compliant with flame retardant standards.
- Ideal for small access panels and maintenance doors.

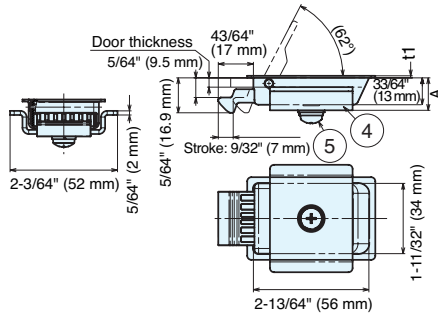
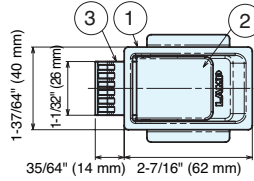
HANDLES, PULLS & KNOBS

LARGE HANDLES

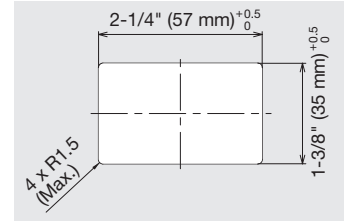
Easy Installation



Insert the latch through the cutout, and fix it with the back plate and screw.



Cut Out Dimensions



No.	Part Name	Material	Finish
①	Case	304 Stainless Steel	Barrel Polished
②	Handle		
③	Latch Bolt*	Polyamide (Glass reinforced)	Plain
④	Back Plate	304 Stainless Steel	
⑤	Cross-recessed pan head screw M6x12	Stainless Steel	

*UL94-HB Classified: Latch bolt is compliant with flame retardant standards.

Item No.	A	Door Thickness	Weight (g)	Box (pcs)	Carton (pcs)
LC-60-3	5/8" ~ 43/64" (15.7~16.9 mm)	5/64" ~ 1/8" (2~3.2 mm)	94	20	120
LC-60-5	5/8" (15.7 mm)	11/64" (4.5 mm)			