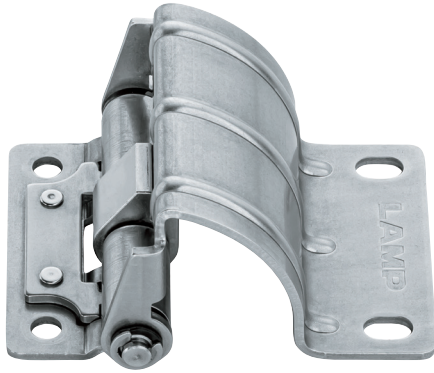


ONE WAY CONCEALED TORQUE HINGE

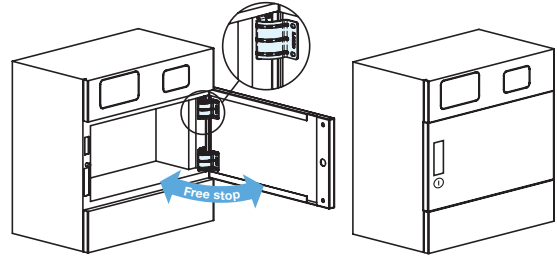


HG-TQU15

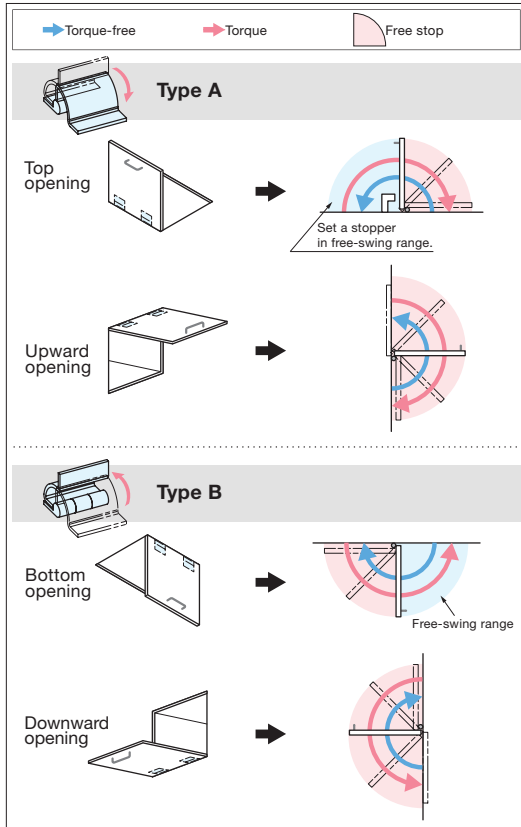


- Two options for torque direction:
 - Type A: has torque (free stop) in opening direction.
 - Type B: has torque (free stop) in closing direction.
- Allows for frictionless handling of doors in opposite direction of torque.
- Concealed hinge avoids tampering or exposure to external elements.
- Hinge is hidden (concealed) from the outside of the door.
- Can be used horizontally or vertically.
- Install a catch or latch to keep lids or doors from opening.
- Durability: successfully passed 20,000 open/close private cycle test.
- Ideal for medical or analytical equipment, automation devices, maintenance on various manufacturing equipment.

Application Example

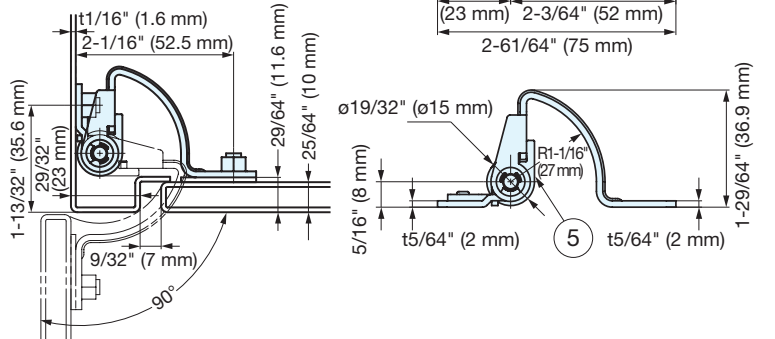


Torque Direction and Free-stop Range



*Figure shows torque direction. Check the actual opening and closing angles in the Reference Dimensions.

Reference Dimensions



No.	Part Name	Material	Finish
①	Body	304 Stainless Steel	Barrel Polished
②	Base		
③	Fixing Tube	Polyacetal (POM)	Black
④	Shaft	Stainless Steel	-
⑤	Housing	Zinc Alloy	Nickel

Item No.	Torque Working Direction	Torque	Weight (g)	Box (pcs)	Carton (pcs)
HG-TQU15-A	Opening Direction	5.98 lb-in (6.9 kgf-cm)	145	10	50
HG-TQU15-B	Closing Direction				