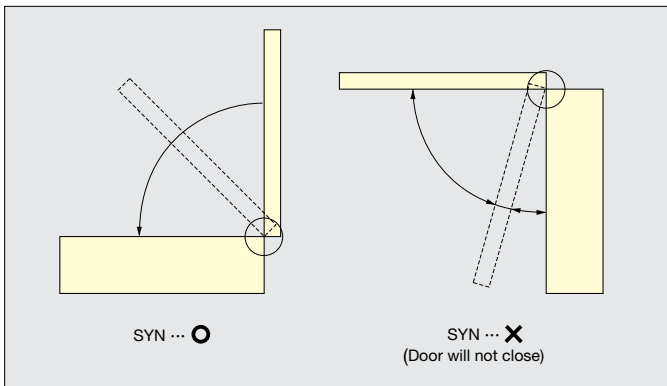
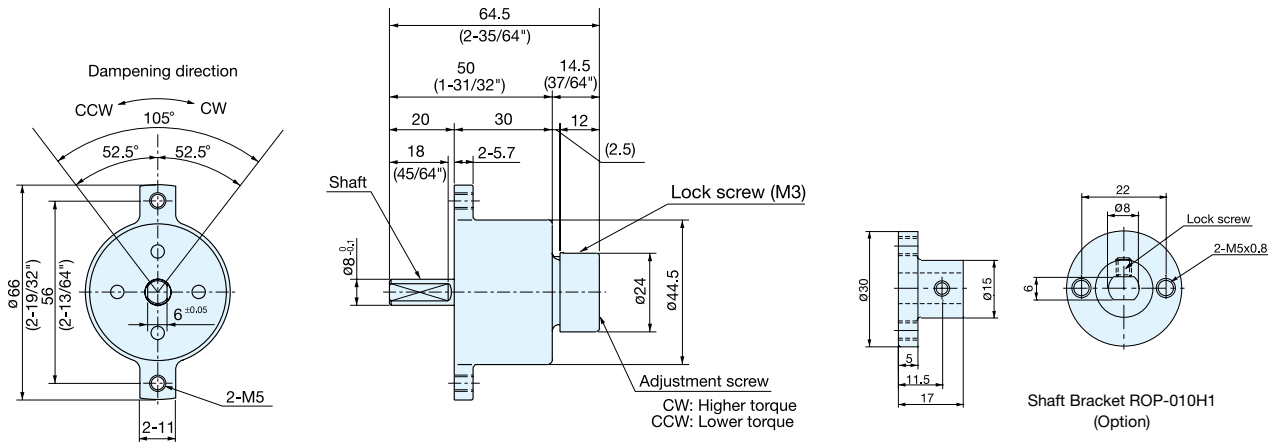


ADJUSTABLE VANE DAMPER (ONE/TWO WAY) SYT, SYN

Special Order

TORQUE DAMPERS

ADJUSTABLE VANE DAMPER



SYN is designed to provide maximum torque before lid is closed, as shown in picture. SYT provides even torque in all angles.

Part Name	Material
Body	Zinc Alloy
Shaft	Steel

* To adjust torque, loosen lock screw and turn the adjustment screw. Lock screw should be tightened after adjustment. Do not turn adjustment screw over 360°.

* Separate stopper at the open/closed position is needed to avoid continuous/excessive load on the damper.

Item No.	Torque (kgf-cm)	Dampening Direction	Weight (g)	Box (pcs)	Carton (pcs)
SYT-H1-104	100 (86.9 lbs-in)	Two Way	240	10	20
SYN-H1-R104		Clockwise			
SYN-H1-L104		Counter Clockwise			