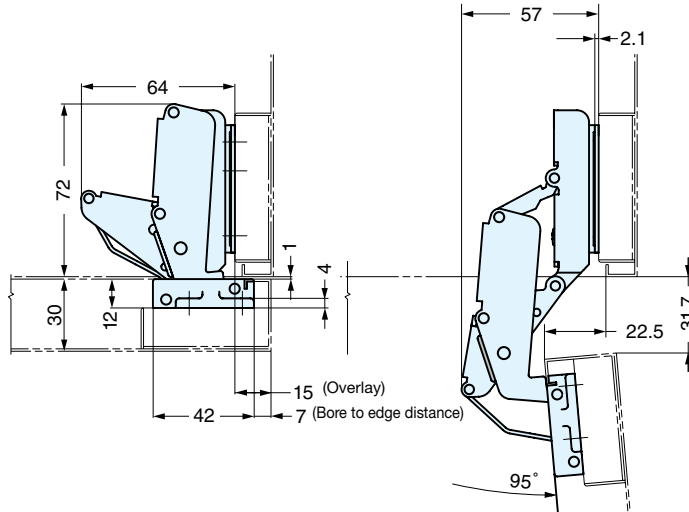
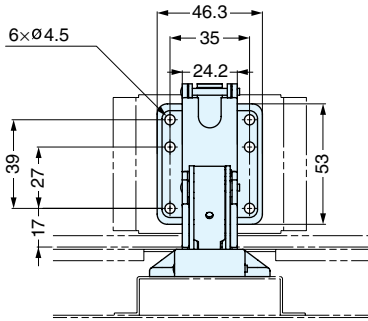
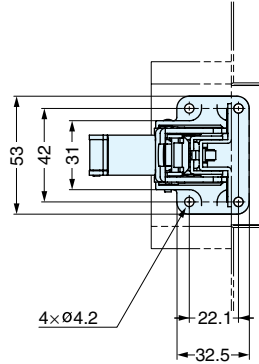


# CONCEALED HINGE

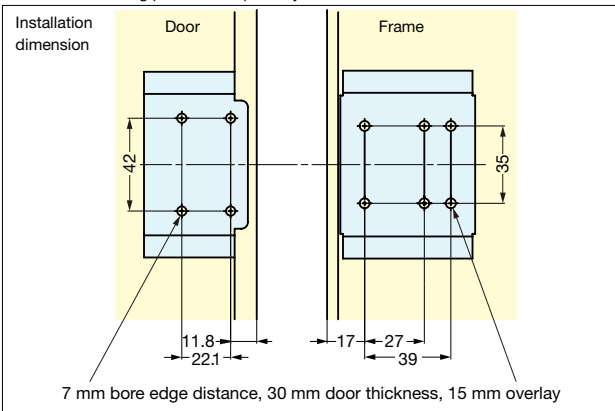


# HT-160V2

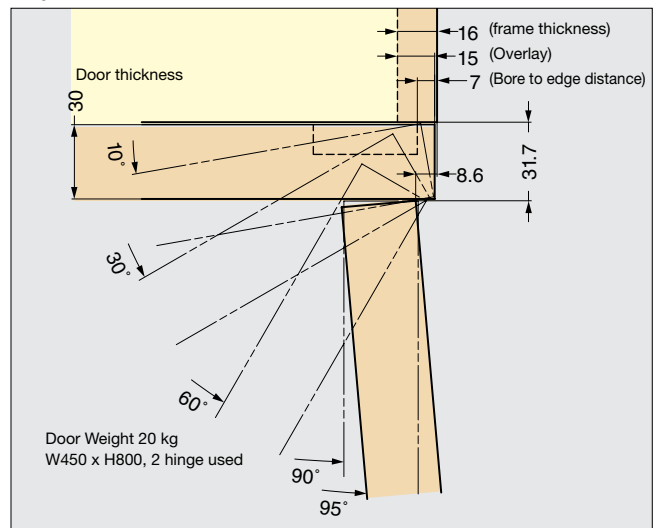
- For use with sheet metal applications.
- Overlay adjustment from 1-3 mm.
- Ideal for when 2 doors are close together.



HT-160TZ mounting plate sold separately



Range of motion



Item No.	Weight (g)	Part Name	Material	Finish/Color
HT-160V2	253	Plate	Zinc Alloy	Nickel
		Body	Steel	
		Spacer	Polyacetal	Black