

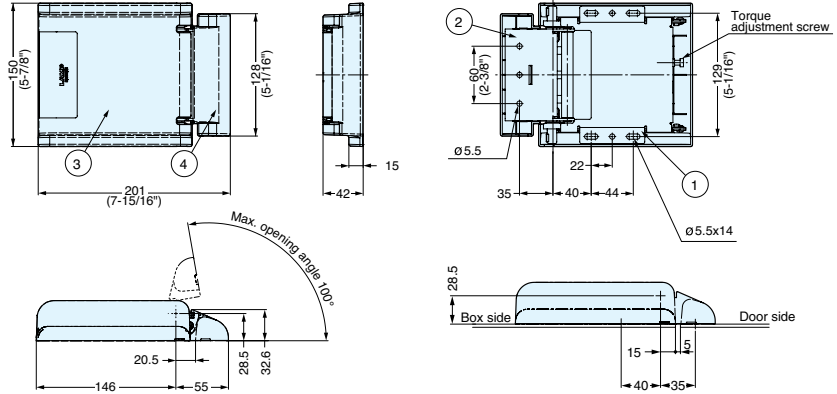
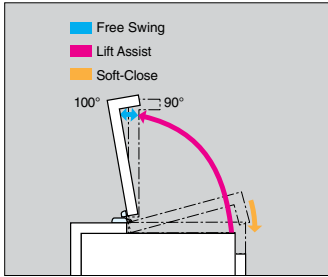
# POWER ASSIST HINGE



# HG-PA200, HG-PA201



- Power assist hinge to reduce the effort to open the lid/door.
- External surface mounted.
- Soft closing.
- Torque adjustable ( $\pm 5\%$ )



Item No.	Max Torque Angle	Torque per piece (kgf-cm)	Weight (g)
HG-PA200-15	20°	153 $\pm$ 10% (133 $\pm$ 10 % lbs-in)	1,385
HG-PA200-20		204 $\pm$ 10% (177 $\pm$ 10 % lbs-in)	
HG-PA200-25		255 $\pm$ 10% (222 $\pm$ 10 % lbs-in)	
HG-PA201-15	35°	153 $\pm$ 10% (133 $\pm$ 10 % lbs-in)	
HG-PA201-20		204 $\pm$ 10% (177 $\pm$ 10 % lbs-in)	
HG-PA201-25		255 $\pm$ 10% (222 $\pm$ 10 % lbs-in)	

No	Part Name	Material	Finish
①	Base A	430 Stainless Steel	Plane
②	Base B		
③	Plastic Cover A	PBT plastic	Light Grey
④	Plastic Cover B		
-	Slider	Polyacetal	-
-	Spring	Steel	-

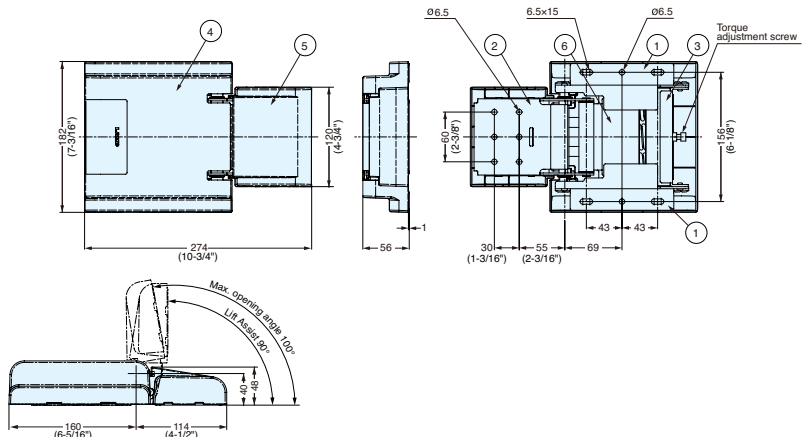
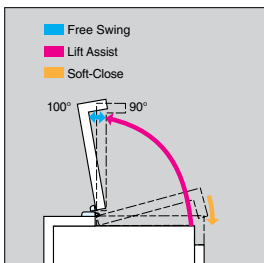
# POWER ASSIST HINGE



# HG-PA270



- Power assist hinge to reduce the effort to open the lid/door.
- External surface mounted.
- Soft closing.
- Torque adjustable ( $\pm 5\%$ ).



Item No.	Torque per piece (kgf-cm)	Weight (g)
HG-PA270-35	357 $\pm$ 10% (310 $\pm$ 10 % lbs-in)	2,500
HG-PA270-45	459 $\pm$ 10% (400 $\pm$ 10 % lbs-in)	

No	Part Name	Material	Finish
①	Base A	430 Stainless Steel	Plane
②	Base B		
③	Case	PBT plastic	Light Grey
④	Plastic Cover A		
⑤	Plastic Cover B	Polyacetal	-
⑥	Slider		
-	Spring	Steel	-