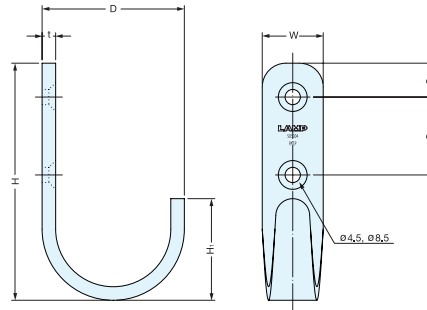


HOOK



HJT



• 4mm thick material designed for excellent durability.

Material	Finish
304 Stainless Steel	Satin (S)/Black (BL)

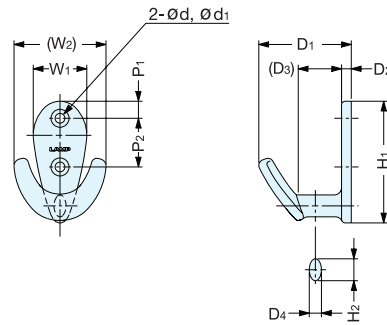
Item No.	D	H	H ₁	t	W	C ₁	C ₂	Load Capacity (kg)	Weight (g)	Box (pcs)	Carton (pcs)
HJT-55S	33	55	23	4 (5/32")	15 (19/32")	8 (5/16")	19 (3/4")	10 (22.0 lbs)	34	30	300
HJT-55SBL	1-19/64"	2-11/64"	29/32"		18 (45/64")	10 (25/64")	23 (29/32")				
HJT-70S	43	70	30	4 (5/32")	18 (45/64")	10 (25/64")	23 (29/32")	8 (17.6 lbs)	53	20	200
HJT-70SBL	1-11/16"	2-3/4"	1-3/16"								

SMALL HOOKS

FORK HOOK



EU



• Hook with unique design.
 • Can hang 3 items at same time. Two on the tips and one on the neck.
 • Two-pronged shape ideal for hats, coats, etc.

Item No.	W ₁	W ₂	D ₁	D ₂	D ₃	D ₄	H ₁	H ₂	d	d ₁	P ₁	P ₂
EU-50	22	38 (1-1/2")	38 (1-1/2")	4	17.8	5	50 (1-31/32")	9	4.0	7.4	7	20
EU-72	32	56 (2-13/64")	52 (2-3/64")	6	23.0	8	72 (2-53/64")	14	4.6	8.6	10	34

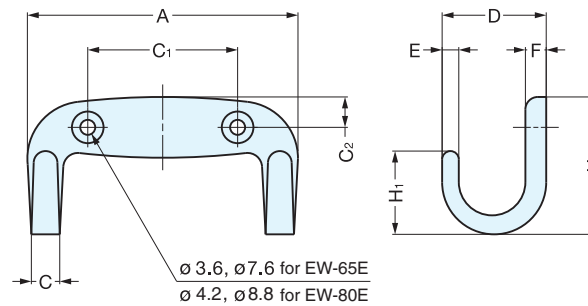
Item No.	Load Capacity (kg)	Weight (g)	Box (pcs)	Carton (pcs)
EU-50	20 (44 lbs)	42	20	120
EU-72	30 (66 lbs)	118	10	60

Material	Finish
316 Stainless Steel	Mirror

HOOK



EW-65E, 80E



Material	Finish
304 Stainless Steel	Mirror

Item No.	A	C ₁	C	D	E	F	C ₂	H	H ₁	Load Capacity (kg)	Weight (g)	Box (pcs)	Carton (pcs)	Screw
EW-65E	65 (2-9/16")	36	6.5	25	4	5	7.3	33 (1-19/64")	20	20 (44 lbs)	52	10	100	3.1 × 16
EW-80E	80 (3-5/32")	44	8.0	32	5	6	9.0	42 (1-21/32")	25		93			3.8 × 20