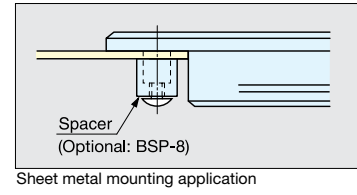
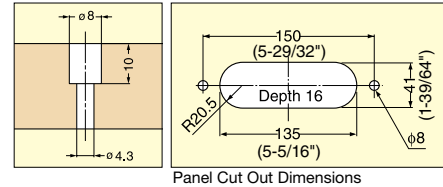
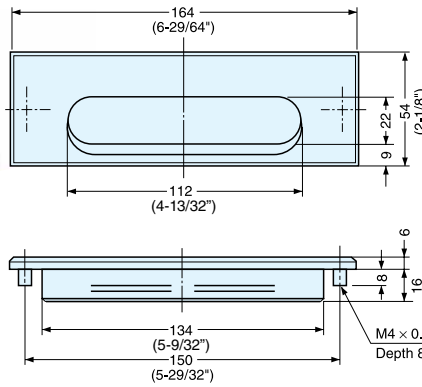
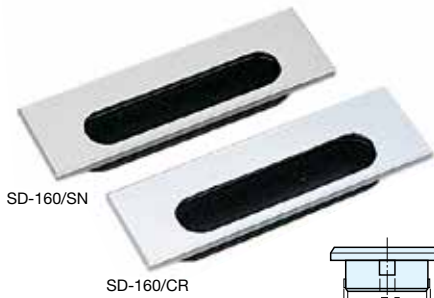


RECESSED PULL



SD-160

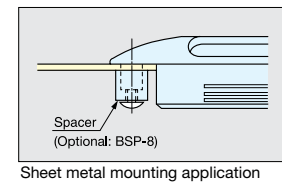
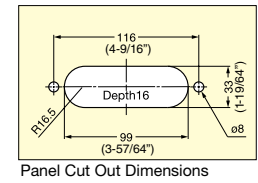
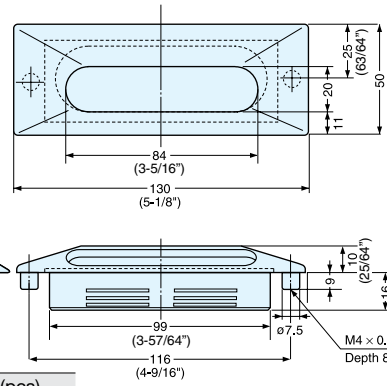


| Item No. | Weight (g) | Box (pcs) | Carton (pcs) | Material | Finish/Color |
|-----------|------------|-----------|--------------|------------|-------------------------------|
| SD-160/CR | 165 | 10 | 60 | Zinc Alloy | Chrome (CR)/Satin Nickel (SN) |
| SD-160/SN | | | | Plastic | Black |

RECESSED PULL



UTZ-130

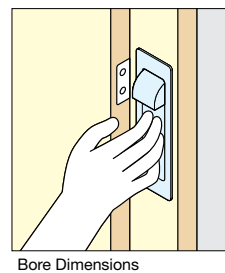
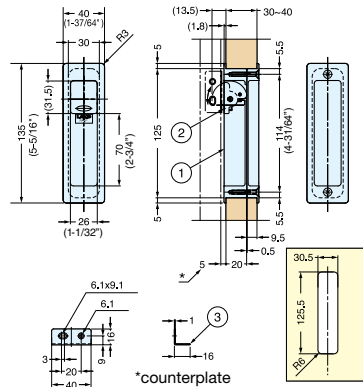


| Item No. | Weight (g) | Box (pcs) | Carton (pcs) | Material | Finish/Color |
|------------|------------|-----------|--------------|------------|---|
| UTZ-130/CR | 105 | 10 | 60 | Zinc Alloy | Chrome (CR)/Satin Nickel (SN)/Bronze (SB) |
| UTZ-130/SN | | | | Plastic | Black |
| UTZ-130/SB | | | | Plastic | Black |

RECESSED PULL (W/DOOR STOPPER)



HH-P135



- Door stopper can be flipped-out to prevent door from entering pocket and pinching fingers.
- Door stopper can be flipped-in to completely open the door.
- Applicable door thickness: 30~40 mm (1-3/16"~1-9/16")
- Can be used on door thickness up to 50 mm (1-31/32") by using longer M4 screws. (Not supplied.)

*In case of using counterplate, change the gap (marked) to 7 mm (9/32") to prevent the stopper and plate from hitting or scratching.

| Item No. | Door Thickness (mm) | Weight (g) | Box (pcs) | Carton (pcs) |
|------------|---------------------|------------|-----------|--------------|
| HH-P135/CR | 30~40 | 290 | 5 | 50 |
| HH-P135/DC | | | | |
| HH-P135/SN | | | | |

| No. | Material | Finish/Color |
|-----|--------------|--|
| ① | Zinc Alloy | Chrome (CR)/Dull Chrome (DC)/Satin Nickel (SN) |
| ② | Polyurethane | - |
| ③ | Steel | Chrome (CR)/Dull Chrome (DC)/Satin Nickel (SN) |