


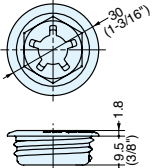
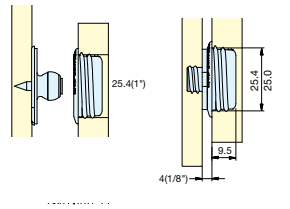

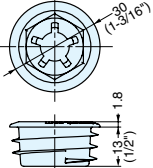
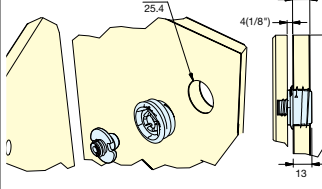

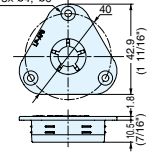
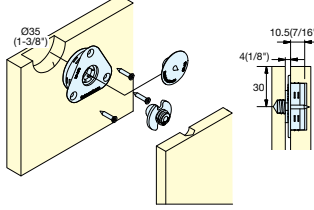
LOW PROFILE RANGE SERIES


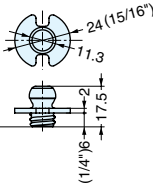
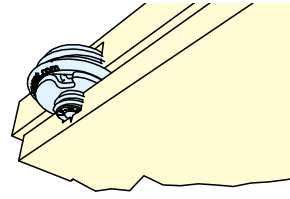

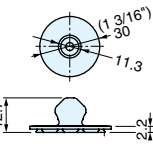
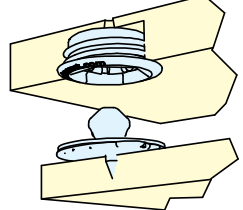


For applications with thin support substrates, 3/8" (10 mm) or thicker. Can be used also for wall panel applications on drywall.

FASTMOUNT® - LOW PROFILE RANGE

PANEL MOUNTING SYSTEM

Female Clips			
Item No.	Dimensions	Diagram	Description
LP-F8 			SELF TAPPING Material: White acetal copolymer Box: 100 Carton: 500 Installation tool: CT-19 (Sold separately) Fits into: Plywood and MDF boards. Mounts into: 1" (25-25.4 mm) hole Compatible with: Male clips: LP-M8A, LP-SM8A
LP-DF8 			SELF TAPPING COARSE THREAD Material: White acetal copolymer Box: 100 Carton: 500 Installation tool: CT-19, in battery drill with correct clutch setting (Sold Separately) Fits into: Drywall (sheetrock) and soft core materials 1/2" (12 mm) or thicker. Mounts into: 1" (25-25.4 mm) hole Compatible with: Male clips: LP-M8A, LP-SM8A
LP-AF8 			AUTO FIT Lateral adjustment for use with curved panels. Affix with #6 (M3.5) countersunk screws. Material: White acetal copolymer Box: 25 Carton: 250 Fits into: Plywood, MDF, fiberglass, etc., 7/16" (10.5 mm) or thicker. Mounts into: 1 3/8" (35 mm) pre-drilled hole in substrate Compatible with: Male clips: LP-M8A, LP-SM8A

Male Clips			
Item No.	Dimensions	Diagram	Description
LP-M8A 			SELF TAPPING Pull Out Force: 11 lbs (5 kg) Material: White acetal copolymer Box: 100 Carton: 500 Installation tool: CT-10 (Sold separately) Fits into: LP-F8, LP-DF8, LP-AF8 Mounts into: Plywood & MDF type boards with 3/8" (10 mm) hole
LP-SM8AS 			SURFACE MOUNT Can be glued or screwed into place with a self-tapping 3/4" #4 (M3) screw. Pull Out Force: 11 lbs (5 kg) Material: White acetal copolymer Box: 100 Carton: 500 Fits into: LP-F8, LP-DF8, LP-AF8 Mounts onto: Plywood or MDF panels.

Accessories



CP-08ST LOW PROFILE CLIP CENTER POINT – STEEL TIP
 Stainless steel tip for marking panels made of hard materials. Fits into the LP-F8 and LP-DF8 female clips. Use to mark hole center in panel for correct clip alignment.

Installation Tools: Low Profile Series



LP-08Y YARD KIT LOW PROFILE
 Contains tools for installing Low Profile Range clips and panel removal tool. Plastic box with CT-05, CT-09, CT-10, CT-19.