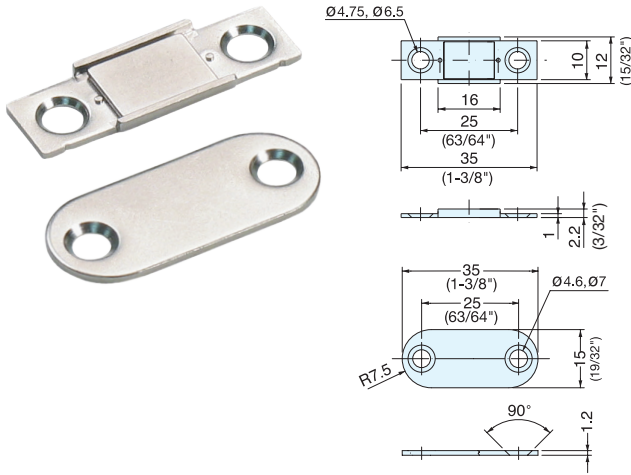


ULTRA THIN MAGNETIC CATCH



MC-YN001P



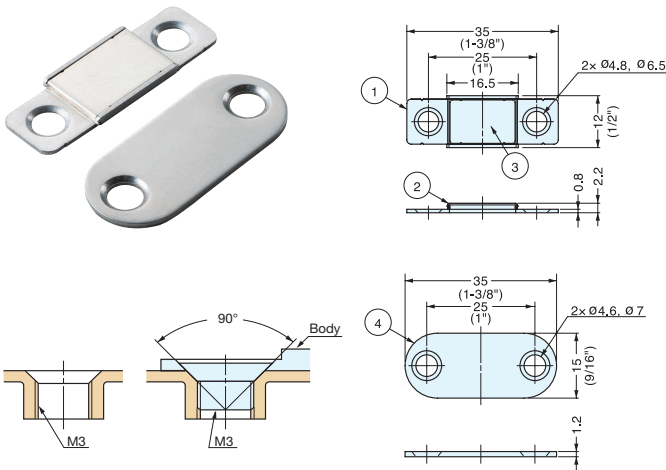
- Unique ultra thin magnetic catch design ideal for tight spaces.
 - Counterplate included.
 - Strong magnetic force.
- Note: 1) Max. recommended temperature: 80°C (176°F)
 2) To avoid breakage, counterplate should not hit magnet.
 3) Screw heads should not protrude above the base plate.

Part Name	Material	Finish		
Magnet	Neodymium	Nickel		
Base/Yoke	Steel			
Item No.	Magnetic Force (kg)	Weight (g)	Box (pcs)	Carton (pcs)
MC-YN001P	2.7 (5.9 lbs)	7.5	100	1000

ULTRA THIN STAINLESS STEEL MAGNETIC CATCH



MC-YN015SP



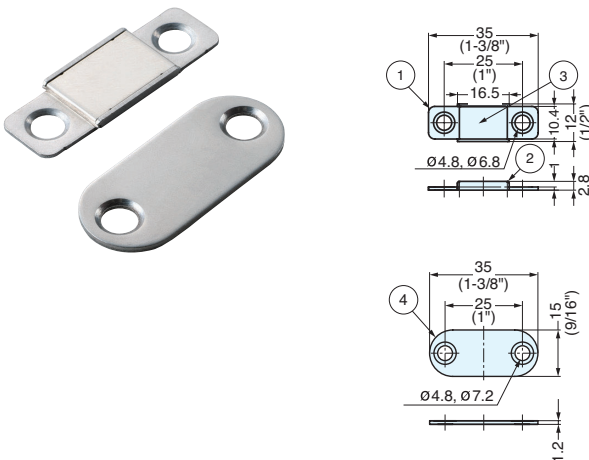
- Ultra-thin magnetic catch with strong rare-earth (neodymium) magnet.
 - 304 stainless steel yoke for high corrosion resistance.
 - Magnetic catch includes self-tapping screws.
- Note: 1) Magnetic force may be affected when used in/around water or high humidity.
 2) Max. recommended temperature: 80°C (176°F).
 3) Counterplate should not come into direct contact with magnet when closing.
 4) Screw heads should not protrude above the base plate.

No.	Part Name	Material	Finish	
①	Main Body	Stainless Steel	Plain	
②	Yoke	304 Stainless Steel		
③	Magnet	Neodymium	Epoxy Coating	
④	Counterplate	Stainless Steel	Plain	
Item No.	Magnetic Force (kg)	Weight (g)	Box (pcs)	Carton (pcs)
MC-YN015SP	2.3 (5.0 lbs)	7.3	100	2000

ULTRA THIN STAINLESS STEEL MAGNETIC CATCH



MC-YN016HP



- Stainless Steel ultra thin magnetic catch with extra strong magnetic force.
- Heat Resistant: Suitable for high temperature environments up to 250°C (482° F).
- Includes strike plate.

Item No.	Magnetic Force (kg)	Weight (g)	
MC-YN016HPP-15	1.5 (3.3 lbs)	10.4	
MC-YN016HPP-27	2.8 (6.2 lbs)	11.4	
No.	Part Name	Material	Finish
①	Yoke	Stainless Steel	Polished
②	Body	Stainless Steel	Plain
③	Magnet	Samarium Cobalt	
④	Counterplate	Stainless Steel	Polished