

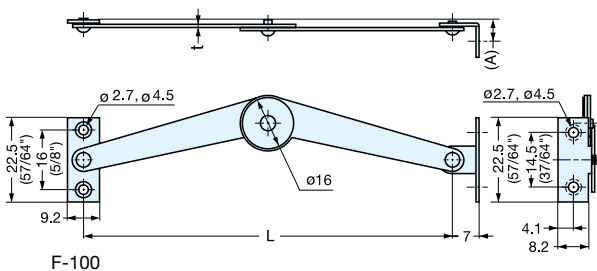
LID STAY



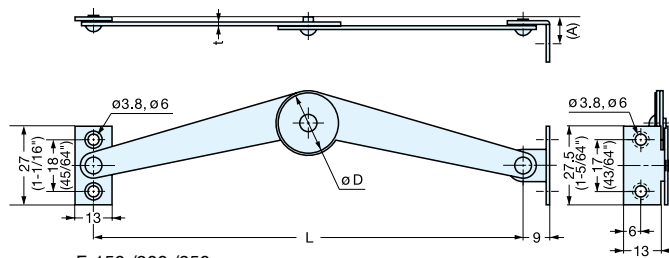
F-100, 150, 200, 250



- Keeps lids from over extending.
- Can be installed individually or in pairs.
- Handed: Specific left and right hand mounting.



F-100



F-150 /200 /250

Item No.		L	D	(A)	t	Weight (g)	Box (pcs)	Carton (pcs)
Right	Left							
F-100R	F-100L	100 (3-15/16")	16.0	6.5	1.0	13	50	500
F-150R	F-150L	150 (5-29/32")	22.0	9.0	1.2	30	40	400
F-200R	F-200L	198 (7-51/64")	22.5		1.5	65	30	300
F-250R	F-250L	250 (9-27/32")						

Material	Finish
304 Stainless Steel	Satin

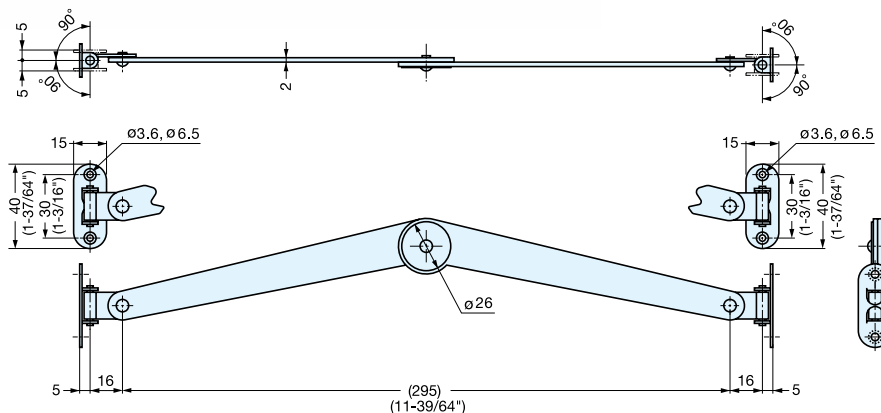
LID STAY



F-300



- Keep lids from over extending.
- Can be installed individually or in pairs.
- Non-Handed: Can be installed on left or right side.



Item No.	Weight (g)	Box (pcs)	Carton (pcs)	Material	Finish
F-300	113	10	100	304 Stainless Steel	Satin