

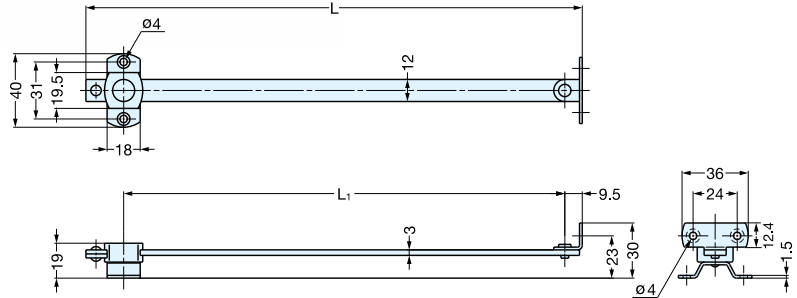
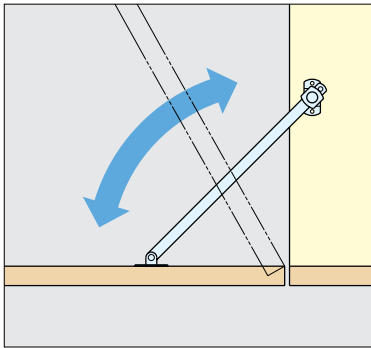
LID STAY



HS



- For downward-opening flap doors.
- Can be installed individually or in pairs.
- Non-Handed: Can be installed on left or right side.



Material	Finish/Color
304 Stainless Steel	Satin
Polyamide	White

Item No.	L	L ₁	Weight (g)	Box (pcs)	Carton (pcs)
HS-180	210 (8-17/64")	180 (7-3/32")	80	20	220
HS-210	240 (9-29/64")	210 (8-17/64")	90		
HS-240	270 (10-5/8")	240 (9-29/64")	100		

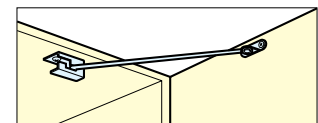
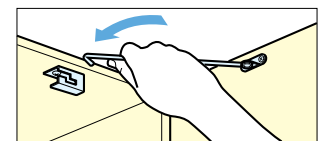
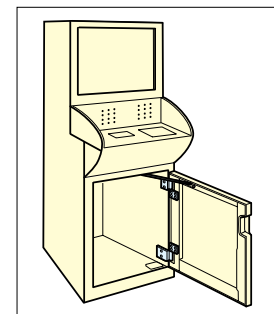
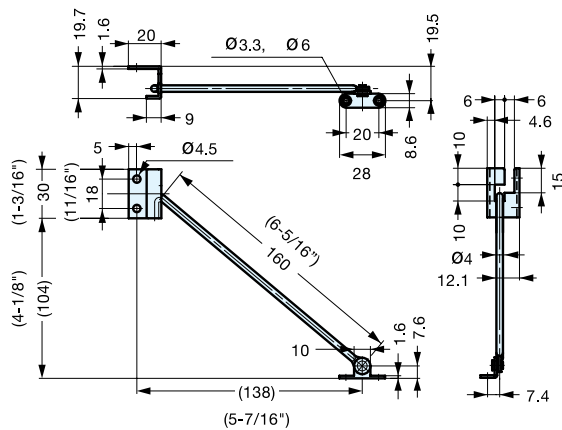
DOOR HOLDER



SAD-160



- Holds door open at 90°.
- Door can be removed when used in conjunction with a lift-off hinge.
- Right-handed use only.



Item No.	Type	Weight (g)	Box (pcs)	Carton (pcs)	Material
SAD-160	Right	34	1	1	304 Stainless Steel, Polyamide