

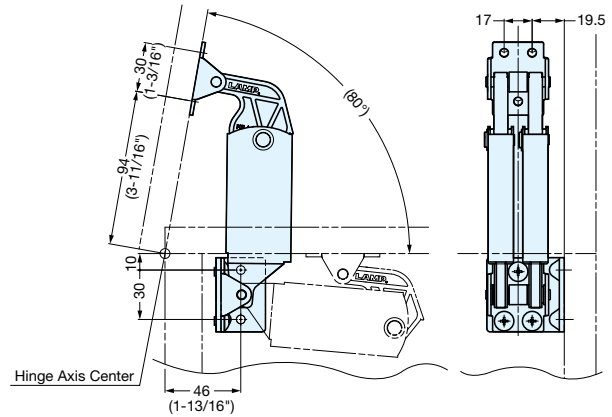
HEAVY DUTY SPRING LOADED LID STAY



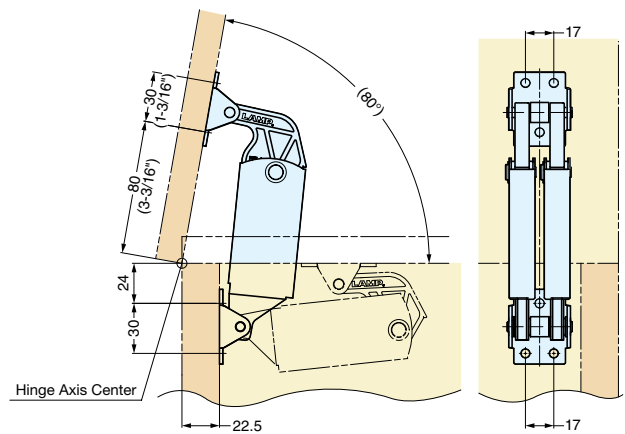
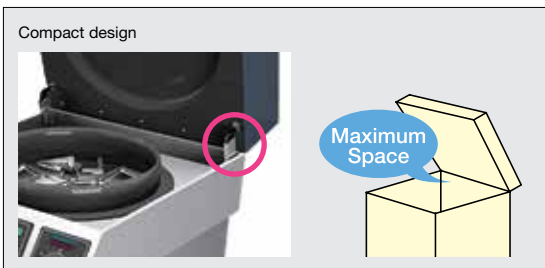
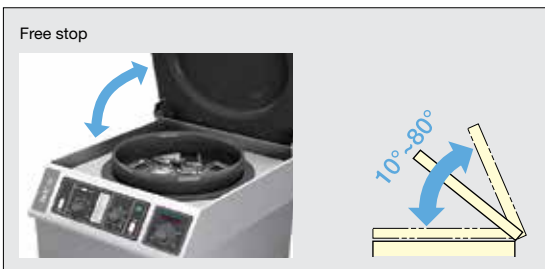
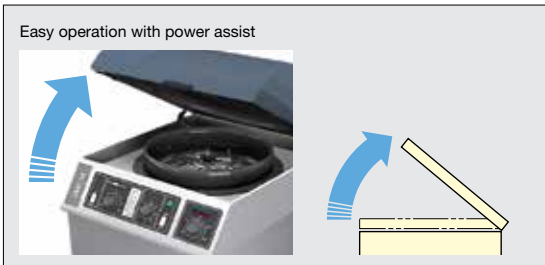
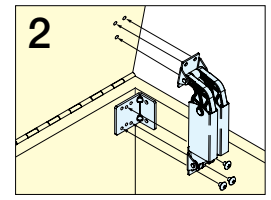
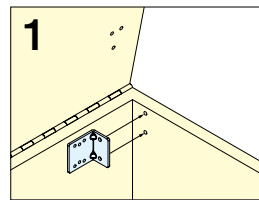
S-AT02W



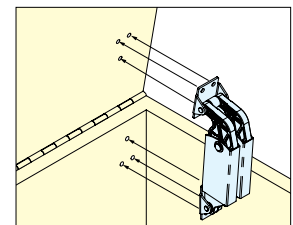
- Heavy duty spring mechanism assists in lifting door and holds in open position (10~80°).
- Side or back mount type.



Installation: Side Panel



Installation: Back Panel



Item No.	Material	Finish	Max. Torque per piece (kgf-cm)		Weight (g)	Box (pcs)	Carton (pcs)
			Side Mount	Back Mount			
S-AT02W	430 Stainless Steel/Steel/Polyacetal	Plain	Side Mount	180~214 (156.5~186.1 lbs-in)	490	1	10
			Back Mount	153~168 (133.0~146.1 lbs-in)			