

# SHELF HOLDER (FOR SPHL-1820)



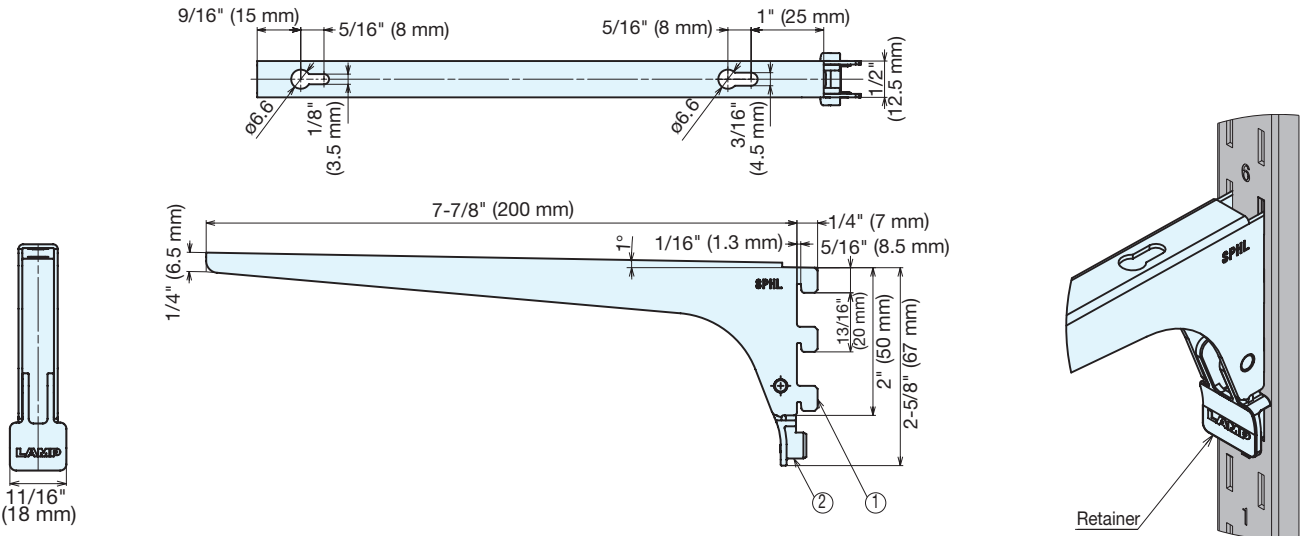
# SPHL-FB200

SHELF & SUPPORT HARDWARE

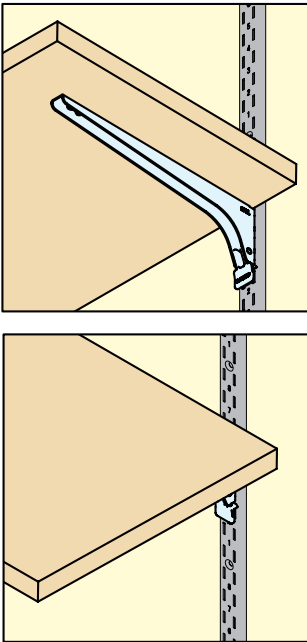
THIN SHELF STANDARDS / SHELF SUPPORTS / CAPS



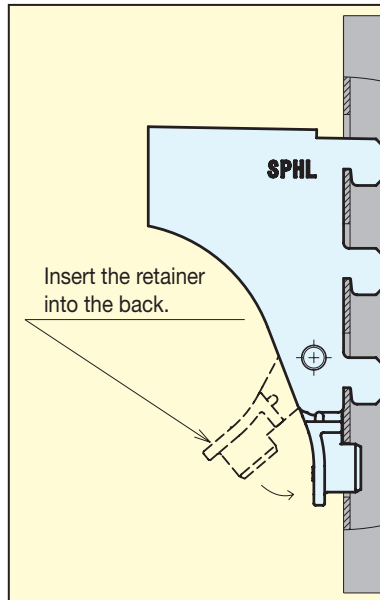
- For shelf standard SPHL-1820.
- Retainer provided to prevent from coming off from shelf standard.
- Max. shelf board width: 35-7/16" (900 mm).
- Load capacity varies depending on shelf board depth. (See table)
- Load capacity includes shelf board weight.
- 2 brackets required for 1 shelf.



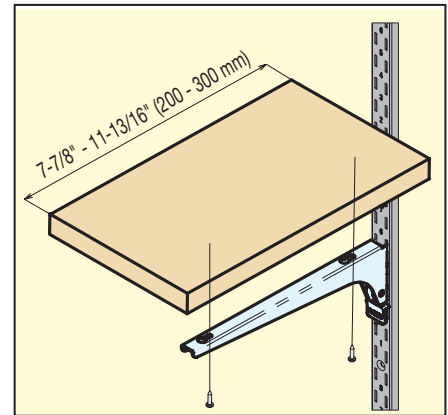
Application Example



Shelf Standard Installation



Shelf Board Installation



Install the shelf board with screws.

	Part Name	Material	Finish
①	Body	430 Stainless Steel	Satin
②	Retainer	Polypropylene	White

Item No.	Shelf Board Depth 7-7/8"~9-13/16" (200~250 mm)	Shelf Board Depth 9-13/16"~11-13/16" (250~300 mm)	Weight (g)	Box (pcs)	Carton (pcs)
	Load Capacity (lbs/2 pcs)	Load Capacity (lbs/2 pcs)			
SPHL-FB200	44 (20 kg)	31 (14 kg)	75	20	200