

LARGE HANDLE

STAINLESS
304
STEEL

SLH

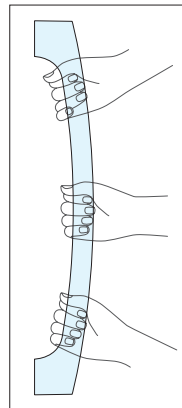
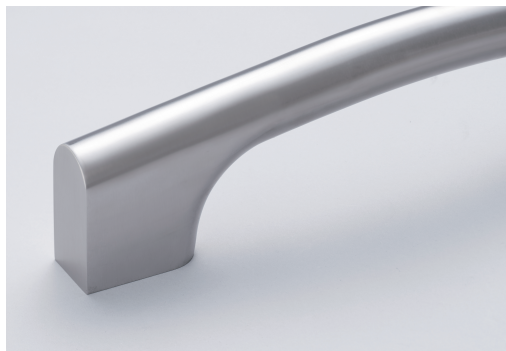


SLH-3240SH

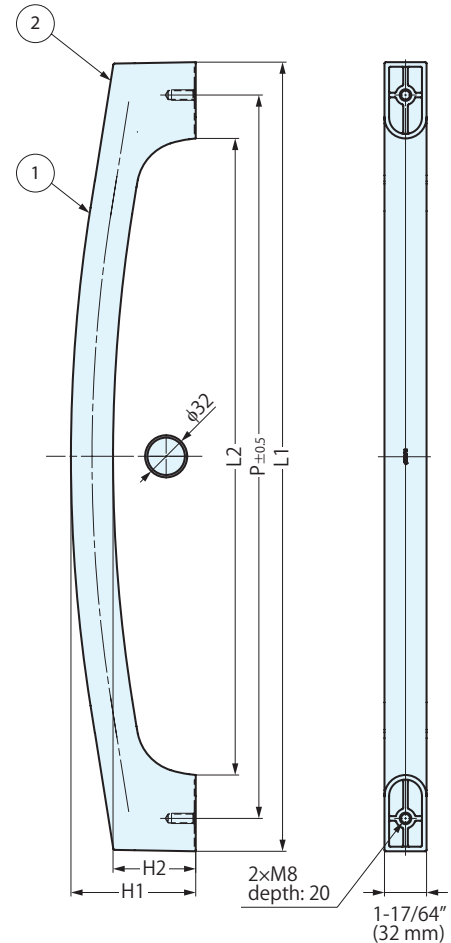
SLH-3260SH

SLH-3280SH

- Stainless steel for high corrosion resistance.
- Seamless design and smooth modern shape with a premium satin finish.
- Ergonomically designed to comfortably and safely grab any part of the handle.



Easy to hold any part of the handle.



HANDLES, PULLS & KNOBS

LARGE HANDLE

No.	Part Name	Material	Finish
①	Bracket	Stainless Steel	Satin
②	Pipe	304 Stainless Steel	

Item No.	L ₁	L ₂	P	H ₁	H ₂	Weight (g)	Box (pcs)	Carton (pcs)
SLH-3240SH	15-3/4" (400)	11-3/16" (284)	13-25/32" (350)	3-27/64" (87)	2-11/64" (55)	2030	5	10
SLH-3260SH	23-5/8" (600)	19-1/16" (484)	21-21/32" (550)	3-47/64" (95)	2-31/64" (63)	2290		
SLH-3280SH	31-1/2" (800)	26-59/64" (684)	29-17/32" (750)	4-1/64" (102)	2-3/4 (70)	2560		