

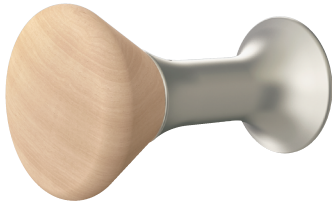
HOOK (WOOD CHIC SERIES)



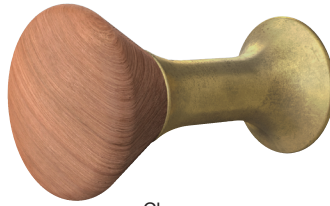
PXB-WC05-111

HOOKS

HOOK (WOOD CHIC SERIES)



Hard Maple

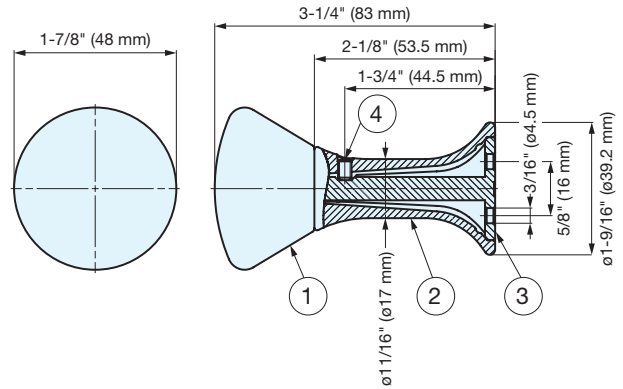


Cherry



Walnut

- Modern design with contrasting materials.
- Base is made from metal for a high loading capacity.
- The matte black finish is coated with a special chromate. This type combines the desirable glossiness of paint with the unique strength of plating.
- Product is made from natural wood. Grain and color may vary.



No.	Part Name	Material	Finish
①	Wooden Part	Natural wood	Clear Coating
②	Plate	Zinc Alloy	See the table
③	Frame		Gloss Chromate Finish
④	Size M4 x 6 Hexagon Socket Set Screws	304 Stainless Steel	Plain

Item No.	Color (Wood)	Finish/Colour (Plate)	Load Capacity (lbs)	Weight
PXB-WC05-111-HM	Hard Maple	Dull Nickel Plating	22.5	159g
PXB-WC05-111-CH	Cherry	Brass Plating/Vintage Look		157g
PXB-WC05-111-WN	Walnut	Chromate Finish/Matte Black		156g