

MONOFLAT LIN-X HINGE

LIN-X800

SLIDING & FOLDING
DOOR HARDWARE

MONOFLAT LIN-X HINGE

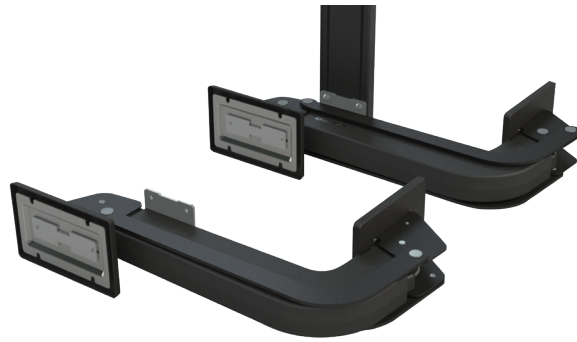


- Lateral Opening Mechanism: Allows doors to swing out laterally in a small radius, ideal for tight front space application.
- 4-Way Adjustable: Vertical, horizontal, depth and parallel adjustment.
- Smooth Movement: Built-in dampers provide a smooth soft-closing movement.
- Use in various applications: Ideal for closet entryways, large pantry doors, storage, hidden rooms, etc. Can also be used on L shaped corner spaces.
- Hardware is non-handed: can be used for left- or right-opening doors.
- Designed for overlay installation, but can be installed flush with the surrounding cabinet or wall. Please contact customer service for details on inset installations.

Item No.	Material	Finish
LIN-X800	Steel, Aluminum	White, Black
LIN-X800H	Steel, Aluminum	White, Black

	LIN-X800	LIN-X800H
Door Width	29-1/2"~33-7/16" (750 - 850 mm)	
Max. Door Height	94-1/2" (2400 mm)	117-5/16" (2980 mm)
Door Thickness	15/16"~1-9/16" (24~40 mm)	
Max. Door Weight	88.2 lbs (40 kg/door)	
Usage	1 set per door	

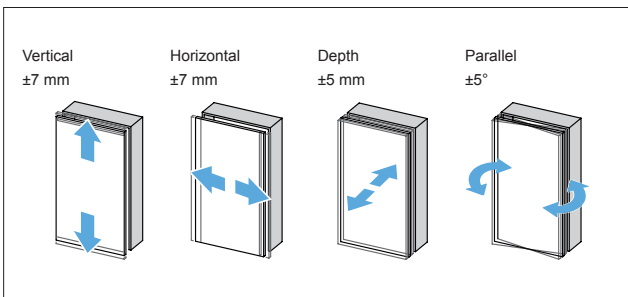
Color Variation



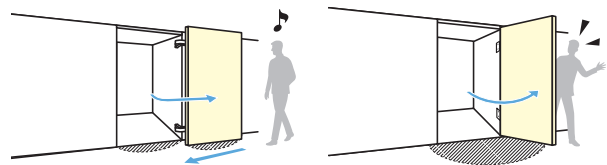
Black



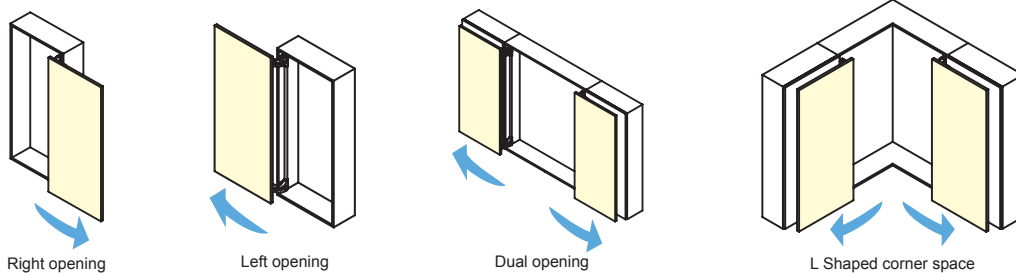
White



•Vertical, Horizontal, Depth and Parallel adjustment possible post-installation.



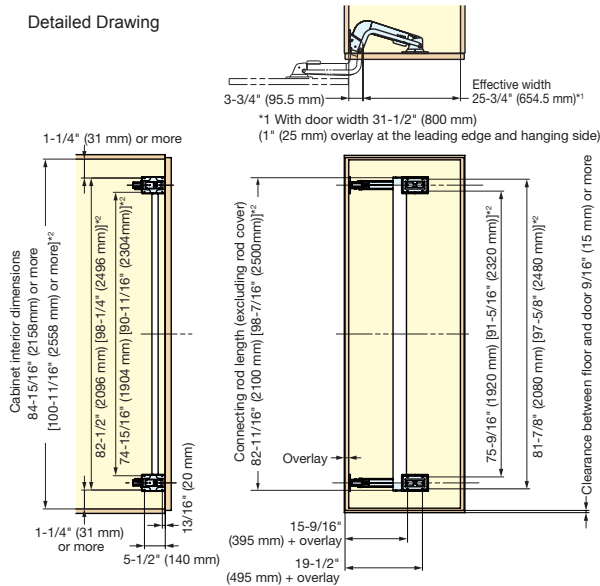
Minimize opening clearance required with LIN-X800, compared to traditional swinging doors. When closed, the LIN-X door can be flush with the surrounding walls.



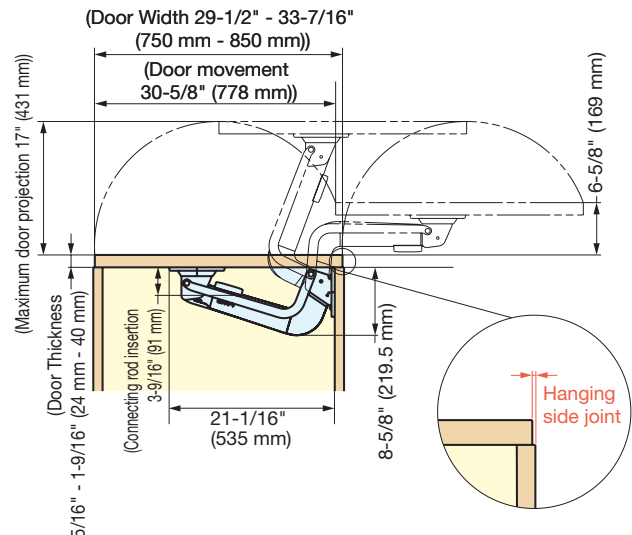
No.	Quantity	Parts in Set	Dimensions	Specifications	No.	Quantity	Parts in Set	Dimensions	Specifications
1	A - B 1 each	Hinge A		<ul style="list-style-type: none"> Material: Steel (SPCC)/ Polyacetal (POM) Finish: Nickel Plating Baked enamel finish 	2	4 pcs	Bracket cover (hanging side)		<ul style="list-style-type: none"> Material: ABS resin
		Hinge B					Bracket cover (leading edge)		
		Bar end cover		<ul style="list-style-type: none"> Material: Polyacetal (POM) 					

No.	Quantity	Parts in Set	Dimensions	Specifications
5	Either part	Connecting bar		<ul style="list-style-type: none"> Material: Aluminium alloy Finish: Anodised: Black/silver
				<ul style="list-style-type: none"> Material: Aluminium alloy Finish: Anodised: Black/silver

Detailed Drawing



Range of Motion



Ideal for Walk-in closet, hidden shop storage, restaurant or ballroom bars as well as partition office doors.

