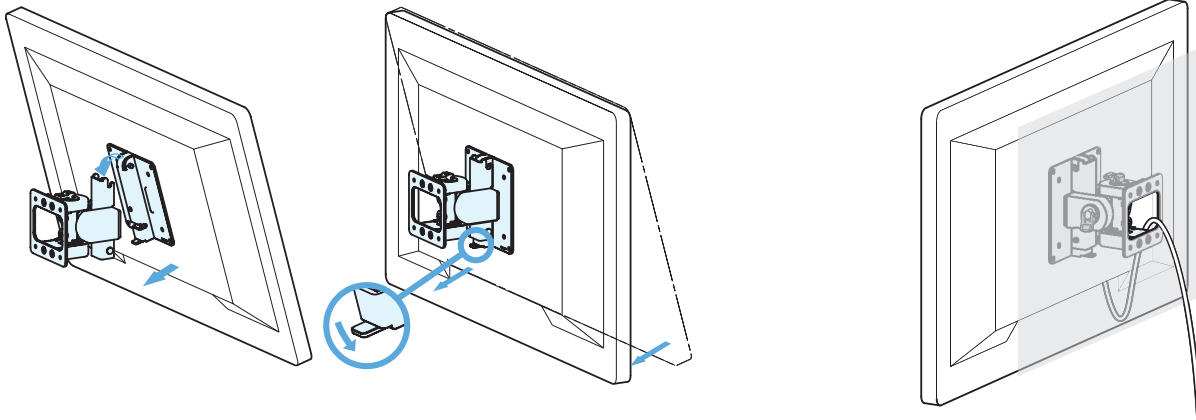




- Monitor can be easily installed and removed.
- Free stops in a range of 180° (swivel) and 40° (tilt).
- Auxiliary lock prevents monitor from sagging due to minute vibration. Also suitable for touch screens.
- Bracket holes are based on VESA standard of 75 mm x 75 mm and 100 mm x 100 mm
- For monitor sizes 12 - 22.9" weighing up to 22 lbs (10 kg)
- Free stop feature allows you to freely tilt and swivel monitors and hold in the desired position.
- Applications: LCD monitors for machine tools, OA equipment, medical equipment, etc.

How to Install and Remove Monitor

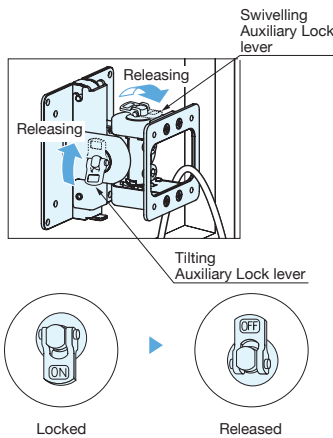


Monitor easily attaches to bracket with slot and click.

To remove the monitor, press the release lever down and tilt the monitor out of the slot.

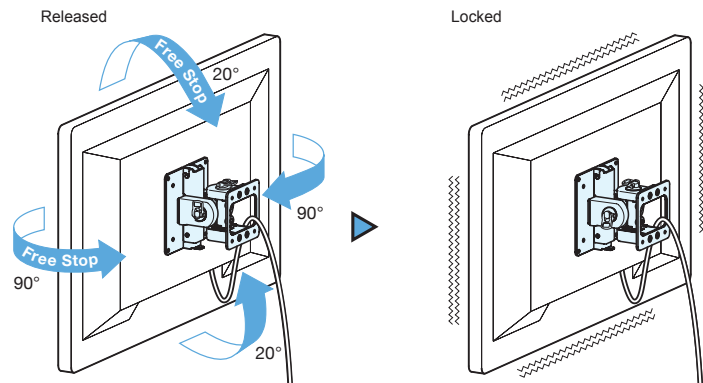
Wire hole allows you to route wires through wire access opening.

Auxiliary Lock Operation



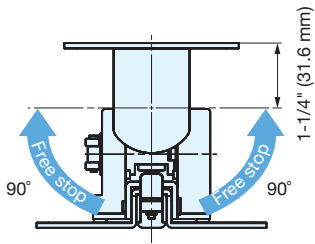
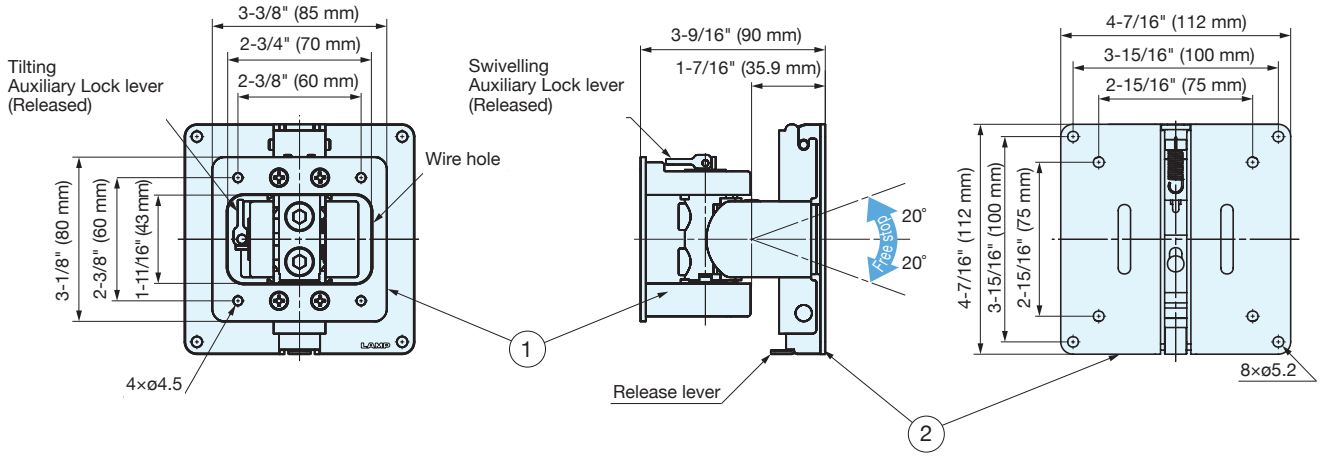
Auxiliary locks hold, tilt and swivel to a secure position. Release the lever to adjust the position.

How to Adjust Angle



Holds at any angle within 40° up/down tilt
Holds at any angle within 180° left/ right swivel

Monitor maintains position under vibration



No.	Part Name	Material	Finish
①	Body	Steel/ ABS	Black
②	Base		

Item No.	Mounting	Torque (Tilting) (kgf-cm/pc)	Torque (Swivelling) (kgf-cm/pc)	Weight (kg)	Box (pcs)	Carton (pcs)
KA-T100S50	Wall Mount	88.5 lbs-in (102.0±20%)	44.2 lbs-in (51.0±20%)	1	1	12